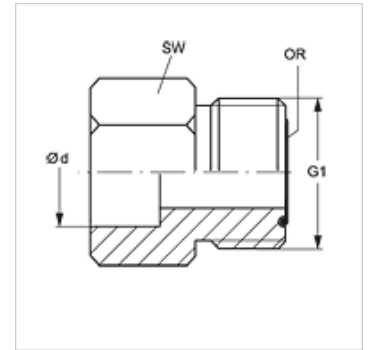


LOET HJOF

Soldered socket ORFS

Properties

Connection 1	Soldered connection
Connection 2	ORFS external threads
Sealing form 2	flat seal with O-ring
Design	Soldered socket
Construction	straight
Material	Steel
Surface	oiled



Item				
Identification	Ø d (mm)	G1	AF (mm)	OR
LOET 04 HJOF 06	6	9/16"-18 UNF	17	7.65 x 1.78
LOET 04 HJOF 08	8	9/16"-18 UNF	17	7.65 x 1.78
LOET 04 HJOF 10	10	9/16"-18 UNF	17	7.65 x 1.78
LOET 06 HJOF 06	6	11/16"-16 UN	19	9.25 x 1.78
LOET 06 HJOF 10	10	11/16"-16 UN	19	9.25 x 1.78
LOET 06 HJOF 12	12	11/16"-16 UN	19	9.25 x 1.78
LOET 08 HJOF 12	12	13/16"-16 UN	22	12.42 x 1.78
LOET 08 HJOF 14	14	13/16"-16 UN	22	12.42 x 1.78
LOET 08 HJOF 16	16	13/16"-16 UN	22	12.42 x 1.78
LOET 10 HJOF 10	10	1" -14 UNS	27	15.60 x 1.78
LOET 10 HJOF 16	16	1" -14 UNS	27	15.60 x 1.78
LOET 10 HJOF 18	18	1" -14 UNS	27	15.60 x 1.78
LOET 12 HJOF 18	18	1.3/16" -12 UN	32	18.77 x 1.78
LOET 12 HJOF 20	20	1.3/16" -12 UN	32	18.77 x 1.78
LOET 12 HJOF 22	22	1.3/16" -12 UN	32	18.77 x 1.78
LOET 12 HJOF 25	25	1.3/16" -12 UN	32	18.77 x 1.78
LOET 16 HJOF 16	16	1.7/16" -12 UN	41	23.52 x 1.78
LOET 16 HJOF 25	25	1.7/16" -12 UN	41	23.52 x 1.78
LOET 16 HJOF 28	28	1.7/16" -12 UN	41	23.52 x 1.78
LOET 16 HJOF 32	32	1.7/16" -12 UN	41	23.52 x 1.78
LOET 20 HJOF 32	32	1.11/16" -12 UN	46	29.87 x 1.78
LOET 20 HJOF 35	35	1.11/16" -12 UN	46	29.87 x 1.78
LOET 20 HJOF 38	38	1.11/16" -12 UN	46	29.87 x 1.78
LOET 24 HJOF 38	38	2" -12 UN	55	37.82 x 1.78
LOET 32 HJOF 30	30	2.1/2" -12 UN	75	48.90 x 2.62

Ø d = External pipe diameter