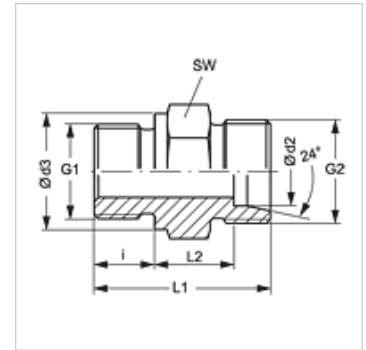


Properties

Connection 1	metric cylindrical outer thread
Sealing form 1	Shape B
Connection 2	metric cylindrical outer thread
Sealing form 2	24° inner cone
Design	Screw-in fitting
Construction	straight
Standard	DIN 3901
Scope of supply	Socket (without union nut and cutting ring)
Material	Stainless steel



Note

Information about fitting, installation, pressure loads and permissible operating temperatures can be found in the technical information for pipe fittings.

Item

Identification	Series	Operating pressure	Ø d2 (mm)	G1	G2	Ø d3 (mm)	i (mm)	L1 (mm)	L2 (mm)	AF (mm)
XVM NW 04 HL VA	L	PN 315	6	M 10 x 1	M 12 x 1.5	14	8	23,5	8,5	14
XVM NW 04 HL 12 VA	L	PN 315	6	M 12 x 1.5	M 12 x 1.5	17	12	28,0	9,0	17
XVM NW 04 HL 14 VA	L	PN 315	6	M 14 x 1.5	M 12 x 1.5	19	12	28,0	9,0	19
XVM NW 06 HL VA	L	PN 315	8	M 12 x 1.5	M 14 x 1.5	17	12	29,0	10,0	17
XVM NW 06 HL 10 VA	L	PN 315	8	M 10 x 1	M 14 x 1.5	14	8	24,5	6,5	17
XVM NW 06 HL 14 VA	L	PN 315	8	M 14 x 1.5	M 14 x 1.5	19	12	29,0	10,0	19
XVM NW 06 HL 16 VA	L	PN 315	8	M 16 x 1.5	M 14 x 1.5	21	12	29,0	10,0	22
XVM NW 06 HL 18 VA	L	PN 315	8	M 18 x 1.5	M 14 x 1.5	23	12	29,5	9,5	24
XVM NW 08 HL VA	L	PN 315	10	M 14 x 1.5	M 16 x 1.5	19	12	30,0	11,0	19
XVM NW 08 HL 10 VA	L	PN 315	10	M 10 x 1	M 16 x 1.5	14	8	25,5	10,5	17
XVM NW 08 HL 12 VA	L	PN 315	10	M 12 x 1.5	M 16 x 1.5	17	12	30,0	11,0	17
XVM NW 08 HL 16 VA	L	PN 315	10	M 16 x 1.5	M 16 x 1.5	21	12	30,0	11,0	22
XVM NW 08 HL 18 VA	L	PN 315	10	M 18 x 1.5	M 16 x 1.5	23	12	30,5	11,5	24
XVM NW 08 HL 22 VA	L	PN 315	10	M 22 x 1.5	M 16 x 1.5	27	14	33,0	12,0	27
XVM NW 10 HL VA	L	PN 315	12	M 16 x 1.5	M 18 x 1.5	21	12	31,5	12,5	22
XVM NW 10 HL 12 VA	L	PN 315	12	M 12 x 1.5	M 18 x 1.5	17	12	31,5	22,5	19
XVM NW 10 HL 14 VA	L	PN 315	12	M 14 x 1.5	M 18 x 1.5	19	12	31,5	12,5	22
XVM NW 10 HL 18 VA	L	PN 315	12	M 18 x 1.5	M 18 x 1.5	23	12	32,0	13,0	24
XVM NW 10 HL 22 VA	L	PN 315	12	M 22 x 1.5	M 18 x 1.5	27	14	34,5	13,5	27
XVM NW 13 HL VA	L	PN 315	15	M 18 x 1.5	M 22 x 1.5	23	12	32,5	13,5	24
XVM NW 13 HL 16 VA	L	PN 315	15	M 16 x 1.5	M 22 x 1.5	21	12	32,0	13,0	24
XVM NW 13 HL 22 VA	L	PN 315	15	M 22 x 1.5	M 22 x 1.5	27	14	36,0	14,0	27
XVM NW 16 HL VA	L	PN 315	18	M 22 x 1.5	M 26 x 1.5	27	14	36,0	14,5	27
XVM NW 16 HL 18 VA	L	PN 315	18	M 18 x 1.5	M 26 x 1.5	23	12	33,5	14,0	27
XVM NW 16 HL 26 VA	L	PN 315	18	M 26 x 1.5	M 26 x 1.5	31	16	38,0	14,5	32
XVM NW 20 HL VA	L	PN 160	22	M 26 x 1.5	M 30 x 2	31	16	40,0	16,5	32
XVM NW 25 HL VA	L	PN 160	28	M 33 x 2	M 36 x 2	39	18	43,0	17,5	41
XVM NW 32 HL VA	L	PN 160	35	M 42 x 2	M 45 x 2	49	20	48,0	17,5	50
XVM NW 40 HL VA	L	PN 160	42	M 48 x 2	M 52 x 2	55	22	52,0	19,0	55
XVM NW 03 HS VA	S	PN 400	6	M 12 x 1.5	M 14 x 1.5	17	12	32,0	13,0	17
XVM NW 03 HS 14 VA	S	PN 400	6	M 14 x 1.5	M 14 x 1.5	19	12	32,0	13,0	19
XVM NW 03 HS 16 VA	S	PN 400	6	M 16 x 1.5	M 14 x 1.5	21	12	32,0	13,0	22
XVM NW 04 HS VA	S	PN 400	8	M 14 x 1.5	M 16 x 1.5	19	12	34,0	15,0	19
XVM NW 06 HS VA	S	PN 400	10	M 16 x 1.5	M 18 x 1.5	21	12	34,5	15,0	22
XVM NW 08 HS VA	S	PN 400	12	M 18 x 1.5	M 20 x 1.5	23	12	36,5	17,0	24
XVM NW 08 HS 14 VA	S	PN 400	12	M 14 x 1.5	M 20 x 1.5	19	12	36,0	16,5	22
XVM NW 10 HS VA	S	PN 400	14	M 20 x 1.5	M 22 x 1.5	25	14	41,0	19,0	27
XVM NW 13 HS VA	S	PN 400	16	M 22 x 1.5	M 24 x 1.5	27	14	41,0	18,5	27
XVM NW 13 HS 18 VA	S	PN 400	16	M 18 x 1.5	M 24 x 1.5	23	12	38,5	18,0	27
XVM NW 16 HS VA	S	PN 400	20	M 27 x 2	M 30 x 2	32	16	47,0	20,5	32
XVM NW 20 HS VA	S	PN 250	25	M 33 x 2	M 36 x 2	39	18	53,0	23,0	41
XVM NW 25 HS VA	S	PN 160	30	M 42 x 2	M 42 x 2	49	20	57,0	23,5	50
XVM NW 32 HS VA	S	PN 160	38	M 48 x 2	M 52 x 2	55	22	64,0	26,0	55



Product versions

XVM	Screw-in fitting, Steel
VM VA	Screw in fitting, Stainless steel