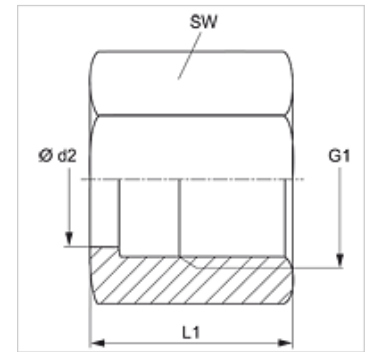
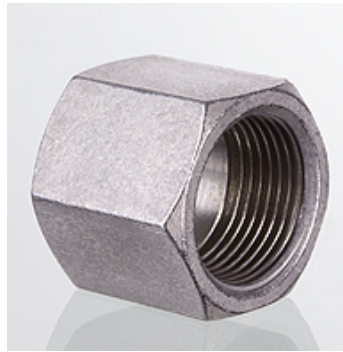


UEM B

Union nut for flange connection

Properties

Connection 1	metric nut thread
Design	Union nut for flange connection
Material	Steel
Surface	electro galvanised



Note

Information about fitting, installation, pressure loads and permissible operating temperatures can be found in the technical information for pipe fittings.

Item

Identification	Series	Operating pressure	for external pipe Ø (mm)	G1	Ø d2 (mm)	L1 (mm)	AF (mm)
UEM NW 04 LB	L	PN 315	6	M 12 x 1.5	7,7	18,0	14
UEM NW 06 LB	L	PN 315	8	M 14 x 1.5	9,5	19,0	17
UEM NW 08 LB	L	PN 315	10	M 16 x 1.5	11,7	20,5	19
UEM NW 10 LB	L	PN 315	12	M 18 x 1.5	13,8	21,5	22
UEM NW 13 LB	L	PN 315	15	M 22 x 1.5	17,7	24,0	27
UEM NW 16 LB	L	PN 315	18	M 26 x 1.5	21,1	23,0	32
UEM NW 20 LB	L	PN 160	22	M 30 x 2	24,3	27,5	36
UEM NW 25 LB	L	PN 160	28	M 36 x 2	30,3	27,5	41
UEM NW 32 LB	L	PN 160	35	M 45 x 2	38,2	30,0	50
UEM NW 40 LB	L	PN 160	42	M 52 x 2	45,2	34,0	60
UEM NW 03 SB	S	PN 630	6	M 14 x 1.5	7,7	19,0	17
UEM NW 04 SB	S	PN 630	8	M 16 x 1.5	9,5	20,0	19
UEM NW 06 SB	S	PN 630	10	M 18 x 1.5	11,7	21,5	22
UEM NW 08 SB	S	PN 630	12	M 20 x 1.5	13,8	22,0	24
UEM NW 10 SB	S	PN 630	14	M 22 x 1.5	17,7	24,0	27
UEM NW 13 SB	S	PN 400	16	M 24 x 1.5	18,6	26,5	30
UEM NW 16 SB	S	PN 400	20	M 30 x 2	24,3	27,5	36
UEM NW 20 SB	S	PN 400	25	M 36 x 2	28,6	30,5	46
UEM NW 25 SB	S	PN 400	30	M 42 x 2	34,1	32,0	50
UEM NW 32 SB	S	PN 315	38	M 52 x 2	42,2	38,0	60

Series: LL = Very light L = Light S = Heavy - PN = Nominal pressure PB = Max. operating pressure

Product versions

UEM B VA Union nut for flange connection, Stainless steel