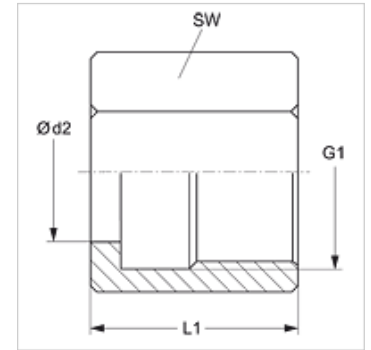
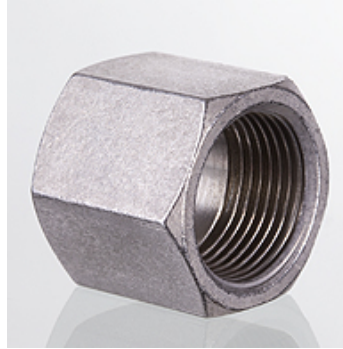


UEM B VA

Union nut for flange connection

Properties

Connection 1	metric nut thread
Design	Union nut for flange connection
Material	Stainless steel



Note

Information about fitting, installation, pressure loads and permissible operating temperatures can be found in the technical information for pipe fittings.

Item

Identification	Series	Operating pressure	for external pipe Ø (mm)	G1	Ø d2 (mm)	L1 (mm)	AF (mm)
UEM NW 04 LB VA	L	PN 315	6	M 12 x 1.5	7,7	18,0	14
UEM NW 06 LB VA	L	PN 315	8	M 14 x 1.5	9,5	19,0	17
UEM NW 08 LB VA	L	PN 315	10	M 16 x 1.5	11,7	20,5	19
UEM NW 10 LB VA	L	PN 315	12	M 18 x 1.5	13,8	21,5	22
UEM NW 13 LB VA	L	PN 315	15	M 22 x 1.5	17,7	24,0	27
UEM NW 16 LB VA	L	PN 315	18	M 26 x 1.5	21,1	23,0	32
UEM NW 20 LB VA	L	PN 160	22	M 30 x 2	24,3	27,5	36
UEM NW 25 LB VA	L	PN 160	28	M 36 x 2	30,3	27,5	41
UEM NW 32 LB VA	L	PN 160	35	M 45 x 2	38,2	30,0	50
UEM NW 40 LB VA	L	PN 160	42	M 52 x 2	45,2	34,0	60
UEM NW 03 SB VA	S	PN 630	6	M 14 x 1.5	7,7	19,0	17
UEM NW 04 SB VA	S	PN 630	8	M 16 x 1.5	9,5	20,0	19
UEM NW 06 SB VA	S	PN 630	10	M 18 x 1.5	11,7	21,5	22
UEM NW 08 SB VA	S	PN 630	12	M 20 x 1.5	13,8	22,0	24
UEM NW 10 SB VA	S	PN 630	14	M 22 x 1.5	17,7	24,0	27
UEM NW 13 SB VA	S	PN 400	16	M 24 x 1.5	18,6	26,5	30
UEM NW 16 SB VA	S	PN 400	20	M 30 x 2	24,3	27,5	36
UEM NW 20 SB VA	S	PN 400	25	M 36 x 2	28,6	30,5	46
UEM NW 25 SB VA	S	PN 400	30	M 42 x 2	34,1	32,0	50
UEM NW 32 SB VA	S	PN 315	38	M 52 x 2	42,2	38,0	60

Series: LL = Very light L = Light S = Heavy – PN = Nominal pressure PB = Max. operating pressure

Product versions

UEM B	Union nut for flange connection, Steel
--------------	--