

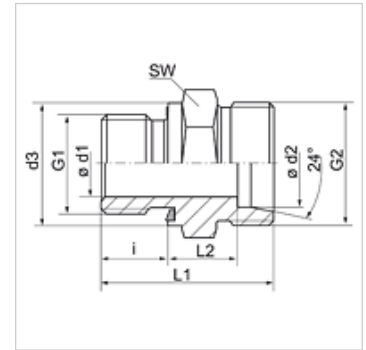
XVM ED VA

Screw-in fitting

HANSA FLEX

Properties

Connection 1	metric cylindrical outer thread
Sealing form 1	Shape E
Connection 2	metric cylindrical outer thread
Sealing form 2	24° inner cone
Design	Screw-in fitting
Construction	straight
Standard	DIN 3901
Scope of supply	Socket (without union nut and cutting ring)
Material	Stainless steel



Note

Information about fitting, installation, pressure loads and permissible operating temperatures can be found in the technical information for pipe fittings.

Ordering information

Seals of NBR

FPM (Viton) on request

Item

Identification	Series	Operating pressure	Ø d2 (mm)	G1	G2	Ø d3 (mm)	i (mm)	L1 (mm)	L2 (mm)	AF (mm)
XVM NW 04 HL ED VA	L	PN 315	6	M 10 x 1	M 12 x 1.5	14,0	8	23,5	8,5	14
XVM NW 04 HL 12 ED VA	L	PN 315	6	M 12 x 1.5	M 12 x 1.5	17,0	12	23,5	8,5	17
XVM NW 04 HL 14 ED VA	L	PN 315	6	M 14 x 1.5	M 12 x 1.5	19,0	12	27,0	10,0	14
XVM NW 06 HL ED VA	L	PN 315	8	M 12 x 1.5	M 14 x 1.5	12,0	12	29,0	10,0	17
XVM NW 06 HL 10 ED VA	L	PN 315	8	M 10 x 1	M 14 x 1.5	14,0	8	26,0	9,5	17
XVM NW 06 HL 14 ED VA	L	PN 315	8	M 14 x 1.5	M 14 x 1.5	19,0	12	27,0	10,0	19
XVM NW 06 HL 16 ED VA	L	PN 315	8	M 16 x 1.5	M 14 x 1.5	22,0	12	25,0	10,0	22
XVM NW 06 HL 18 ED VA	L	PN 315	8	M 18 x 1.5	M 14 x 1.5	24,0	12	25,0	10,0	24
XVM NW 08 HL ED VA	L	PN 315	10	M 14 x 1.5	M 16 x 1.5	19,0	12	30,0	11,0	19
XVM NW 08 HL 10 ED VA	L	PN 315	10	M 10 x 1	M 16 x 1.5	14,0	8	27,5	11,0	17
XVM NW 08 HL 12 ED VA	L	PN 315	10	M 12 x 1.5	M 16 x 1.5	17,0	12	30,0	11,0	17
XVM NW 08 HL 16 ED VA	L	PN 315	10	M 16 x 1.5	M 16 x 1.5	22,0	12	31,5	12,5	22
XVM NW 08 HL 18 ED VA	L	PN 315	10	M 18 x 1.5	M 16 x 1.5	24,0	12	31,5	12,5	24
XVM NW 08 HL 22 ED VA	L	PN 315	10	M 22 x 1.5	M 16 x 1.5	27,0	14	35,0	14,0	27
XVM NW 10 HL ED VA	L	PN 315	12	M 16 x 1.5	M 18 x 1.5	22,0	12	31,5	12,5	22
XVM NW 10 HL 12 ED VA	L	PN 315	12	M 12 x 1.5	M 18 x 1.5	17,0	12	28,0	13,0	19
XVM NW 10 HL 14 ED VA	L	PN 315	12	M 14 x 1.5	M 18 x 1.5	19,0	12	30,0	11,0	19
XVM NW 10 HL 18 ED VA	L	PN 315	12	M 18 x 1.5	M 18 x 1.5	24,0	12	31,5	12,5	24
XVM NW 10 HL 22 ED VA	L	PN 315	12	M 22 x 1.5	M 18 x 1.5	27,0	14	35,0	14,0	27
XVM NW 13 HL ED VA	L	PN 315	15	M 18 x 1.5	M 22 x 1.5	24,0	12	32,5	13,5	24
XVM NW 13 HL 16 ED VA	L	PN 315	15	M 16 x 1.5	M 22 x 1.5	22,0	12	32,0	13,0	24
XVM NW 13 HL 22 ED VA	L	PN 315	15	M 22 x 1.5	M 22 x 1.5	27,0	14	36,0	15,0	27
XVM NW 16 HL ED VA	L	PN 315	18	M 22 x 1.5	M 26 x 1.5	27,0	14	36,0	14,5	27
XVM NW 16 HL 18 ED VA	L	PN 315	18	M 18 x 1.5	M 26 x 1.5	24,0	12	33,5	14,0	27
XVM NW 20 HL ED VA	L	PN 160	22	M 26 x 1.5	M 30 x 2	32,0	16	40,0	16,5	32
XVM NW 25 HL ED VA	L	PN 160	28	M 33 x 2	M 36 x 2	40,0	18	43,0	17,5	41
XVM NW 32 HL ED VA	L	PN 160	35	M 42 x 2	M 45 x 2	50,0	20	48,0	17,5	50
XVM NW 40 HL ED VA	L	PN 160	42	M 48 x 2	M 52 x 2	55,0	22	55,0	19,0	55
XVM NW 03 HS ED VA	S	PN 630	6	M 12 x 1.5	M 14 x 1.5	17,0	12	32,0	13,0	17
XVM NW 03 HS 14 ED VA	S	PN 630	6	M 14 x 1.5	M 14 x 1.5	19,0	12	30,0	15,0	19
XVM NW 04 HS ED VA	S	PN 630	8	M 14 x 1.5	M 16 x 1.5	19,0	12	34,0	15,0	19
XVM NW 06 HS ED VA	S	PN 630	10	M 16 x 1.5	M 18 x 1.5	22,0	12	34,5	15,0	22
XVM NW 08 HS ED VA	S	PN 630	12	M 18 x 1.5	M 20 x 1.5	24,0	12	36,5	17,0	24
XVM NW 08 HS 14 ED VA	S	PN 630	12	M 14 x 1.5	M 20 x 1.5	19,0	12	33,0	16,0	22
XVM NW 10 HS ED VA	S	PN 630	14	M 20 x 1.5	M 22 x 1.5	26,0	14	41,0	19,0	27
XVM NW 13 HS ED VA	S	PN 400	16	M 22 x 1.5	M 24 x 1.5	27,0	14	41,0	18,5	27
XVM NW 13 HS 18 ED VA	S	PN 400	16	M 18 x 1.5	M 24 x 1.5	24,0	12	38,5	18,0	27
XVM NW 16 HS ED VA	S	PN 400	20	M 27 x 2	M 30 x 2	32,0	16	47,0	20,5	32



Despite careful checking, we cannot guarantee the accuracy of all information included on this site, and we accept no liability.

06.07.2026

HANSA-FLEX AG

www.hansa-flex.com

1

Item										
Identification	Series	Operating pressure	Ø d2 (mm)	G1	G2	Ø d3 (mm)	i (mm)	L1 (mm)	L2 (mm)	AF (mm)
XVM NW 20 HS ED VA	S	PN 400	25	M 33 x 2	M 36 x 2	40,0	18	53,0	23,0	41
XVM NW 25 HS ED VA	S	PN 400	30	M 42 x 2	M 42 x 2	50,0	20	57,0	23,5	50
XVM NW 32 HS ED VA	S	PN 315	38	M 48 x 2	M 52 x 2	55,0	22	64,0	26,0	55

Series: LL = Very light L = Light S = Heavy - PN = Nominal pressure PB = Max. operating pressure - Ø d2 = External pipe diameter

Product versions

XVM ED Screw-in fitting, Steel

VM VA Screw in fitting, Stainless steel

Spare parts

WD V Soft seal for ED fittings