

W90 HJOF LOET

Soldered socket, angle 90°

Properties

Connection 1 ORFS external threads

Sealing form 1 flat seal with O-ring

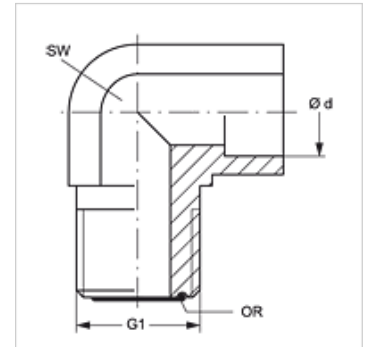
Connection 2 Soldered socket

Design Soldered socket

Construction Angle 90°

Material Steel

Surface oiled



Item

| Identification | Ø d (mm) | G1 | AF (mm) | OR |
|---------------------|----------|----------------|---------|--------------|
| W90 HJOF 04 LOET 06 | 6 | 9/16"-18 UNF | 14 | 7.65 x 1.78 |
| W90 HJOF 06 LOET 10 | 10 | 11/16" -16 UN | 19 | 9.25 x 1.78 |
| W90 HJOF 08 LOET 12 | 12 | 13/16" -16 UN | 19 | 12.42 x 1.78 |
| W90 HJOF 10 LOET 16 | 16 | 1" -14 UNS | 27 | 15.60 x 1.78 |
| W90 HJOF 12 LOET 18 | 18 | 1.3/16" -12 UN | 30 | 18.77 x 1.78 |
| W90 HJOF 12 LOET 20 | 20 | 1.3/16" -12 UN | 30 | 18.77 x 1.78 |
| W90 HJOF 16 LOET 25 | 25 | 1.7/16" -12 UN | 36 | 23.52 x 1.78 |

Ø = External pipe diameter