

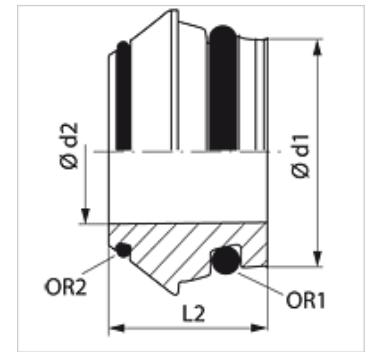
ZR OO

Spacer ring, flange connection, 2 O-rings

HANSA FLEX

Properties

Design	Spacer ring for flare connection with 2 O-rings
Standard	DIN 3949
Material	Steel
Surface	electro galvanised



Note

Information about fitting, installation, pressure loads and permissible operating temperatures can be found in the technical information for pipe fittings.

Item

Identification	Series	Operating pressure	Ø d1 (mm)	Ø d2 (mm)	L2 (mm)	OR1	OR2
ZR OO 06	L / S	PN 630	6	3	11,5	4.0 x 1.5	4.40 x 0.80
ZR OO 08	L / S	PN 630	8	5	12,0	6.0 x 1.5	6.00 x 0.80
ZR OO 10	L / S	PN 630	10	6	12,5	7.5 x 1.5	7.50 x 0.80
ZR OO 12	L / S	PN 630	12	8	12,5	9.0 x 1.5	9.50 x 0.80
ZR OO 15	L	PN 400	15	11	12,5	12.0 x 2.0	12.50 x 0.80
ZR OO 18	L	PN 400	18	14	13,0	15.0 x 2.0	15.00 x 1.00
ZR OO 22	L	PN 250	22	17	14,2	20.0 x 2.0	18.00 x 1.00
ZR OO 28	L	PN 250	28	23	14,7	26.0 x 2.0	23.00 x 1.00
ZR OO 35	L	PN 250	35	28	18,5	32.0 x 2.5	30.00 x 1.00
ZR OO 42	L	PN 250	42	35	20,5	38.0 x 2.5	37.00 x 1.00
ZR OO 14	S	PN 630	14	9	14,0	10.0 x 2.0	11.00 x 1.00
ZR OO 16	S	PN 400	16	11	15,0	12.0 x 2.0	12.50 x 1.00
ZR OO 20	S	PN 400	20	14	18,5	16.3 x 2.4	16.00 x 1.00
ZR OO 25	S	PN 400	25	19	20,0	20.3 x 2.4	20.00 x 1.00
ZR OO 30	S	PN 400	30	23	22,0	25.3 x 2.4	25.00 x 1.00
ZR OO 38	S	PN 315	38	30	26,0	33.3 x 2.4	32.00 x 1.78

Series: LL = Very light L = Light S = Heavy – PN = Nominal pressure PB = Max. operating pressure – Ø d1 = External pipe diameter

Product versions

ZR OO VA Spacer ring, flange connection, 2 O-rings, Stainless steel