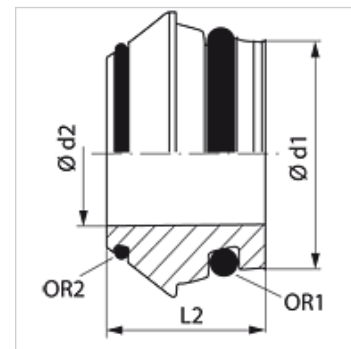


# ZR OO VA

## Spacer ring, flange connection, 2 O-rings

### Properties

<b>Design</b>	Spacer ring for flare connection with 2 O-rings
<b>Standard</b>	DIN 3949
<b>Material</b>	Stainless steel



### Note

Information about fitting, installation, pressure loads and permissible operating temperatures can be found in the technical information for pipe fittings.

### Ordering information

Seals of NBR  
FPM (Viton) on request

### Item

Identification	Series	Operating pressure	Ø d1 (mm)	Ø d2 (mm)	L2 (mm)	OR1	OR2
ZR OO 06 VA	L / S	PN 630	6	3	11,5	4.0 x 1.5	4.40 x 0.80
ZR OO 08 VA	L / S	PN 630	8	5	12,0	6.0 x 1.5	6.00 x 0.80
ZR OO 10 VA	L / S	PN 630	10	6	12,5	7.5 x 1.5	7.50 x 0.80
ZR OO 12 VA	L / S	PN 630	12	8	12,5	9.0 x 1.5	9.50 x 0.80
ZR OO 15 VA	L	PN 400	15	11	12,5	12.0 x 2.0	12.50 x 0.80
ZR OO 18 VA	L	PN 400	18	14	13,0	15.0 x 2.0	15.00 x 1.00
ZR OO 22 VA	L	PN 250	22	17	14,2	20.0 x 2.0	18.00 x 1.00
ZR OO 28 VA	L	PN 250	28	23	14,7	26.0 x 2.0	23.00 x 1.00
ZR OO 35 VA	L	PN 250	35	28	18,5	32.0 x 2.5	30.00 x 1.00
ZR OO 42 VA	L	PN 250	42	35	20,5	38.0 x 2.5	37.00 x 1.00
ZR OO 14 VA	S	PN 630	14	9	14,0	10.0 x 2.0	11.00 x 1.00
ZR OO 16 VA	S	PN 400	16	11	15,0	12.0 x 2.0	12.50 x 1.00
ZR OO 20 VA	S	PN 400	20	14	18,5	16.3 x 2.4	16.00 x 1.00
ZR OO 25 VA	S	PN 400	25	19	20,0	20.3 x 2.4	20.00 x 1.00
ZR OO 30 VA	S	PN 400	30	23	22,0	25.3 x 2.4	25.00 x 1.00
ZR OO 38 VA	S	PN 315	38	30	26,0	33.3 x 2.4	32.00 x 1.78

Series: LL = Very light L = Light S = Heavy – PN = Nominal pressure PB = Max. operating pressure – Ø d1 = External pipe diameter

### Product versions

ZR OO Spacer ring, flange connection, 2 O-rings, Steel