

SW HJOF

Bulkhead fitting socket, angle 90°

Properties

Connection 1 ORFS external threads

Sealing form 1 flat seal with O-ring

Connection 2 ORFS external threads

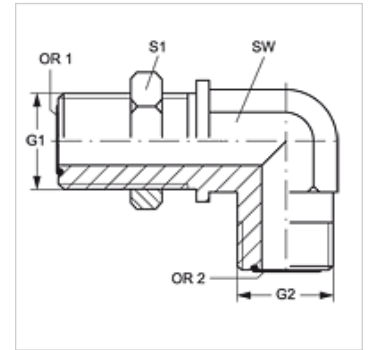
Sealing form 2 flat seal with O-ring

Design Bulkhead fitting socket

Construction Angle 90°

Material Steel

Surface electro galvanised



Item

Identification	G1 + G2	AF (mm)	S1	OR1 + OR2
SW HJOF 04	9/16"-18 UNF	14	22	7.66 x 1.78
SW HJOF 06	11/16" -16 UN	19	27	9.25 x 1.78
SW HJOF 08	13/16" -16 UN	19	30	12.42 x 1.78
SW HJOF 10	1" -14 UNS	27	32	15.60 x 1.78
SW HJOF 12	1.3/16" -12 UN	30	38	18.77 x 1.78
SW HJOF 16	1.7/16" -12 UN	37	46	23.52 x 1.78
SW HJOF 20	1.11/16" -12 UN	41	51	29.87 x 1.78
SW HJOF 24	2" -12 UN	60	48	37.82 x 1.78

SW, S1, S2 = With across flats