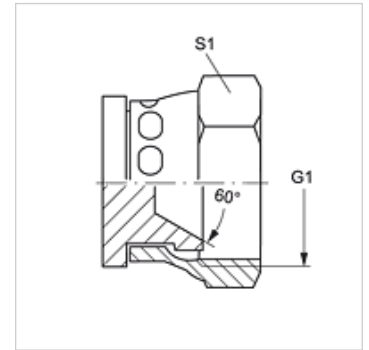


VERSCHLUSS ARI

Blanking nut

Properties

| | |
|------------------------------|----------------------------------|
| Connection 1 | BSP cylindrical internal threads |
| Sealing form 1 | 60° inner cone |
| Design | Blanking nut |
| Construction | straight |
| Standard connection 2 | JIS B 8363 |
| Material | Steel |
| Surface | electro galvanised |



Item

| Identification | G1 | S1 |
|--------------------------|------------|----|
| VERSCHLUSS ARI 04 | G 1/4" -19 | 19 |
| VERSCHLUSS ARI 06 | G 3/8" -19 | 22 |
| VERSCHLUSS ARI 08 | G 1/2" -14 | 27 |
| VERSCHLUSS ARI 12 | G 3/4" -14 | 37 |
| VERSCHLUSS ARI 16 | G 1" -11 | 41 |

SW, S1, S2 = With across flats