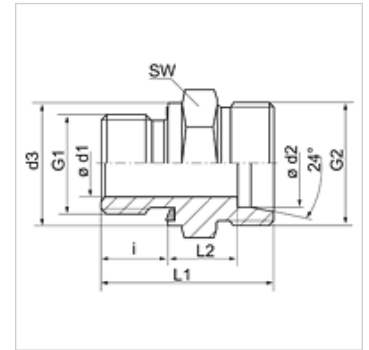


## Properties

Connection 1	BSP external thread, cylindrical
Sealing form 1	Shape E
Connection 2	metric cylindrical outer thread
Sealing form 2	24° inner cone
Design	Screw-in fitting
Construction	straight
Standard	DIN 2353 ISO 8434-1
Scope of supply	Socket (without union nut and cutting ring)
Material	Stainless steel



## Note

Information about fitting, installation, pressure loads and permissible operating temperatures can be found in the technical information for pipe fittings.

## Ordering information

Seals of NBR  
FPM (Viton) on request

Item	Series	Operating pressure	Ø d2 (mm)	G1	G2	Ø d3 (mm)	i (mm)	L1 (mm)	L2 (mm)	AF (mm)
XVR NW 04 HL ED VA	L	PN 315	6	G 1/8" -28	M 12 x 1.5	13,9	8	23,5	8,5	14
XVR NW 04 HL 1/4 ED VA	L	PN 315	6	G 1/4" -19	M 12 x 1.5	18,9	12	29,0	10,0	19
XVR NW 04 HL 3/8 ED VA	L	PN 315	6	G 3/8" -19	M 12 x 1.5	21,9	12	29,5	10,5	22
XVR NW 04 HL 1/2 ED VA	L	PN 315	6	G 1/2" -14	M 12 x 1.5	26,9	14	32,0	11,0	27
XVR NW 06 HL 1/8 ED VA	L	PN 315	8	G 1/8" -28	M 14 x 1.5	13,9	8	24,5	9,5	14
XVR NW 06 HL ED VA	L	PN 315	8	G 1/4" -19	M 14 x 1.5	18,9	12	29,0	10,0	19
XVR NW 06 HL 3/8 ED VA	L	PN 315	8	G 3/8" -19	M 14 x 1.5	21,9	12	30,5	11,5	22
XVR NW 06 HL 1/2 ED VA	L	PN 315	8	G 1/2" -14	M 14 x 1.5	26,9	14	33,0	12,0	27
XVR NW 08 HL 1/8 ED VA	L	PN 315	10	G 1/8" -28	M 16 x 1.5	13,9	8	25,5	10,5	17
XVR NW 08 HL ED VA	L	PN 315	10	G 1/4" -19	M 16 x 1.5	18,9	12	30,0	11,0	19
XVR NW 08 HL 3/8 ED VA	L	PN 315	10	G 3/8" -19	M 16 x 1.5	21,9	12	31,5	12,5	22
XVR NW 08 HL 1/2 ED VA	L	PN 315	10	G 1/2" -14	M 16 x 1.5	26,9	14	34,0	13,0	27
XVR NW 08 HL 3/4 ED VA	L	PN 315	10	G 3/4" -14	M 16 x 1.5	31,9	16	36,0	13,0	32
XVR NW 10 HL 1/8 ED VA	L	PN 315	12	G 1/8" -28	M 18 x 1.5	13,9	8	26,5	11,5	19
XVR NW 10 HL 1/4 ED VA	L	PN 315	12	G 1/4" -19	M 18 x 1.5	18,9	12	31,5	12,5	22
XVR NW 10 HL ED VA	L	PN 315	12	G 3/8" -19	M 18 x 1.5	21,9	12	31,5	12,5	22
XVR NW 10 HL 1/2 ED VA	L	PN 315	12	G 1/2" -14	M 18 x 1.5	26,9	14	34,0	13,0	27
XVR NW 10 HL 3/4 ED VA	L	PN 160	12	G 3/4" -14	M 18 x 1.5	31,9	16	36,0	13,0	32
XVR NW 13 HL 1/8 ED VA	L	PN 315	15	G 1/8" -28	M 22 x 1.5	13,9	8	28,5	13,5	24
XVR NW 13 HL 1/4 ED VA	L	PN 315	15	G 1/4" -19	M 22 x 1.5	18,9	12	32,5	13,5	24
XVR NW 13 HL 3/8 ED VA	L	PN 315	15	G 3/8" -19	M 22 x 1.5	21,9	12	33,0	14,0	27
XVR NW 13 HL ED VA	L	PN 315	15	G 1/2" -14	M 22 x 1.5	26,9	14	35,0	14,0	27
XVR NW 13 HL 3/4 ED VA	L	PN 160	15	G 3/4" -14	M 22 x 1.5	31,9	16	38,0	15,0	32
XVR NW 16 HL 3/8 ED VA	L	PN 315	18	G 3/8" -19	M 26 x 1.5	21,9	12	33,5	14,0	27
XVR NW 16 HL ED VA	L	PN 315	18	G 1/2" -14	M 26 x 1.5	26,9	14	36,0	14,5	27
XVR NW 16 HL 3/4 ED VA	L	PN 160	18	G 3/4" -14	M 26 x 1.5	31,9	16	38,0	14,5	32
XVR NW 16 HL 1 ED VA	L	PN 315	18	G 1" -11	M 26 x 1.5	39,9	18	43,0	17,5	41
XVR NW 20 HL 3/8 ED VA	L	PN 160	22	G 3/8" -19	M 30 x 2	21,9	12	36,0	16,5	32
XVR NW 20 HL 1/2 ED VA	L	PN 160	22	G 1/2" -14	M 30 x 2	26,9	14	38,0	16,5	32
XVR NW 20 HL ED VA	L	PN 160	22	G 3/4" -14	M 30 x 2	31,9	16	40,0	16,5	32
XVR NW 20 HL 1 ED VA	L	PN 160	22	G 1" -11	M 30 x 2	39,9	18	42,0	16,5	41
XVR NW 25 HL 1/2 ED VA	L	PN 160	28	G 1/2" -14	M 36 x 2	26,9	14	39,0	17,5	41
XVR NW 25 HL 3/4 ED VA	L	PN 160	28	G 3/4" -14	M 36 x 2	31,9	16	41,0	17,5	41
XVR NW 25 HL ED VA	L	PN 160	28	G 1" -11	M 36 x 2	39,9	18	43,0	17,5	41
XVR NW 25 HL 1 1/4 ED VA	L	-	28	G 1.1/4" -11	M 36 x 2	-	-	-	-	-
XVR NW 32 HL 1/2 ED VA	L	PN 160	35	G 1/2" -14	M 45 x 2	26,9	14	42,0	17,5	46
XVR NW 32 HL 3/4 ED VA	L	PN 160	35	G 3/4" -14	M 45 x 2	31,9	16	48,5	22,0	46
XVR NW 32 HL 1 ED VA	L	PN 160	35	G 1" -11	M 45 x 2	39,9	18	46,0	17,5	50



Item	Series	Operating pressure	Ø d2 (mm)	G1	G2	Ø d3 (mm)	i (mm)	L1 (mm)	L2 (mm)	AF (mm)
XVR NW 32 HL ED VA	L	PN 160	35	G 1.1/4" -11	M 45 x 2	49,9	20	48,0	17,5	50
XVR NW 40 HL 1 ED VA	L	PN 160	42	G 1" -11	M 52 x 2	39,9	18	48,0	19,0	55
XVR NW 40 HL ED VA	L	PN 160	42	G 1.1/2" -11	M 52 x 2	54,9	22	52,0	19,0	55
XVR NW 03 HS 1/8 ED VA	S	PN 630	6	G 1/8" -28	M 14 x 1.5	13,9	8	28,0	13,0	17
XVR NW 03 HS ED VA	S	PN 630	6	G 1/4" -19	M 14 x 1.5	18,9	12	32,0	13,0	19
XVR NW 03 HS 3/8 ED VA	S	PN 630	6	G 3/8" -19	M 14 x 1.5	21,9	12	34,5	15,5	22
XVR NW 03 HS 1/2 ED VA	S	PN 630	6	G 1/2" -14	M 14 x 1.5	26,9	14	35,0	14,0	27
XVR NW 03 HS 3/4 ED VA	S	PN 630	6	G 3/4" -14	M 14 x 1.5	31,9	16	38,0	15,0	32
XVR NW 04 HS 1/8 ED VA	S	PN 630	8	G 1/8" -28	M 16 x 1.5	13,9	8	28,0	13,0	17
XVR NW 04 HS ED VA	S	PN 630	8	G 1/4" -19	M 16 x 1.5	18,9	12	34,0	15,0	19
XVR NW 04 HS 3/8 ED VA	S	PN 630	8	G 3/8" -19	M 16 x 1.5	21,9	12	34,5	15,5	22
XVR NW 04 HS 1/2 ED VA	S	PN 630	8	G 1/2" -14	M 16 x 1.5	26,9	14	38,5	17,5	27
XVR NW 06 HS 1/8 ED VA	S	PN 630	10	G 1/8" -28	M 18 x 1.5	13,9	8	29,5	14,0	22
XVR NW 06 HS 1/4 ED VA	S	PN 630	10	G 1/4" -19	M 18 x 1.5	18,9	12	34,0	14,5	22
XVR NW 06 HS ED VA	S	PN 630	10	G 3/8" -19	M 18 x 1.5	21,9	12	34,5	15,0	22
XVR NW 06 HS 1/2 ED VA	S	PN 630	10	G 1/2" -14	M 18 x 1.5	26,9	14	39,0	17,5	27
XVR NW 06 HS 3/4 ED VA	S	PN 630	10	G 3/4" -14	M 18 x 1.5	31,9	16	36,0	14,5	32
XVR NW 08 HS 1/4 ED VA	S	PN 630	12	G 1/4" -19	M 20 x 1.5	18,9	12	36,0	16,5	22
XVR NW 08 HS ED VA	S	PN 630	12	G 3/8" -19	M 20 x 1.5	21,9	12	36,5	17,0	22
XVR NW 08 HS 1/2 ED VA	S	PN 630	12	G 1/2" -14	M 20 x 1.5	26,9	14	39,0	17,5	27
XVR NW 08 HS 3/4 ED VA	S	PN 630	12	G 3/4" -14	M 20 x 1.5	31,9	16	36,0	20,5	32
XVR NW 10 HS 1/4 ED VA	S	PN 630	14	G 1/4" -19	M 22 x 1.5	18,9	12	34,5	14,5	24
XVR NW 10 HS 3/8 ED VA	S	PN 630	14	G 3/8" -19	M 22 x 1.5	21,9	12	38,5	18,5	27
XVR NW 10 HS ED VA	S	PN 630	14	G 1/2" -14	M 22 x 1.5	26,9	14	41,0	19,0	27
XVR NW 10 HS 3/4 ED VA	S	PN 630	14	G 3/4" -14	M 22 x 1.5	31,9	16	45,0	21,0	32
XVR NW 10 HS 1 ED VA	S	PN 630	14	G 1" -11	M 22 x 1.5	39,9	18	45,5	19,5	41
XVR NW 13 HS 1/4 ED VA	S	PN 400	16	G 1/4" -19	M 24 x 1.5	18,9	12	38,0	17,5	27
XVR NW 13 HS 3/8 ED VA	S	PN 400	16	G 3/8" -19	M 24 x 1.5	21,9	12	38,5	18,0	27
XVR NW 13 HS ED VA	S	PN 400	16	G 1/2" -14	M 24 x 1.5	26,9	14	41,0	18,5	27
XVR NW 13 HS 3/4 ED VA	S	PN 400	16	G 3/4" -14	M 24 x 1.5	31,9	16	45,0	20,5	32
XVR NW 13 HS 1 ED VA	S	PN 400	16	G 1" -11	M 24 x 1.5	39,5	18	45,5	19,0	41
XVR NW 16 HS 3/8 ED VA	S	PN 400	20	G 3/8" -19	M 30 x 2	21,9	12	43,0	20,5	32
XVR NW 16 HS 1/2 ED VA	S	PN 400	20	G 1/2" -14	M 30 x 2	26,9	14	45,0	20,5	32
XVR NW 16 HS ED VA	S	PN 400	20	G 3/4" -14	M 30 x 2	31,9	16	47,0	20,5	32
XVR NW 16 HS 1 ED VA	S	PN 400	20	G 1" -11	M 30 x 2	39,9	18	49,0	20,5	41
XVR NW 16 HS 1 1/2 ED VA	S	-	20	G 1.1/2" -11	M 30 x 2	-	-	-	-	-
XVR NW 20 HS 1/2 ED VA	S	PN 400	25	G 1/2" -14	M 36 x 2	26,9	14	49,0	23,0	41
XVR NW 20 HS 3/4 ED VA	S	PN 400	25	G 3/4" -14	M 36 x 2	31,9	16	51,0	23,0	41
XVR NW 20 HS ED VA	S	PN 400	25	G 1" -11	M 36 x 2	39,9	18	53,0	23,0	41
XVR NW 20 HS 1 1/2 ED VA	-	-	-	G 1.1/2" -11	-	-	-	-	-	-
XVR NW 25 HS 3/4 ED VA	S	PN 400	30	G 3/4" -14	M 42 x 2	31,9	16	52,5	23,0	46
XVR NW 25 HS 1 ED VA	S	PN 400	30	G 1" -11	M 42 x 2	39,9	18	55,0	23,5	50
XVR NW 25 HS ED VA	S	PN 400	30	G 1.1/4" -11	M 42 x 2	49,9	20	57,0	23,5	50
XVR NW 25 HS 1 1/2 ED VA	S	-	30	G 1.1/2" -11	M 42 x 2	-	-	-	-	-
XVR NW 32 HS 1 ED VA	S	PN 315	38	G 1" -11	M 52 x 2	39,9	18	60,0	26,0	55
XVR NW 32 HS ED VA	S	PN 315	38	G 1.1/2" -11	M 52 x 2	54,9	22	64,0	26,0	55

Series: LL = Very light L = Light S = Heavy - PN = Nominal pressure PB = Max. operating pressure - Ø d2 = External pipe diameter

## Product versions

XVR ED	Screw-in fitting, Steel
VR ED VA	Screw in fitting, Stainless steel

## Spare parts

WD V	Soft seal for ED fittings
------	---------------------------