

VERSCHLUSS HB

Blanking socket

HANSA FLEX

Properties

Connection 1 BSP external thread, cylindrical

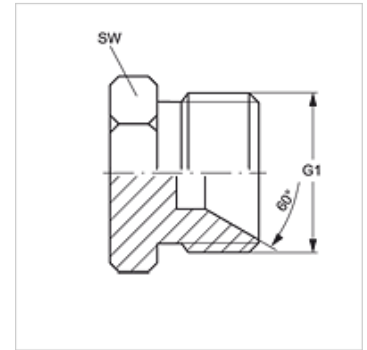
Sealing form 1 60° inner cone

Design Blanking socket

Construction straight

Material Steel

Surface electro galvanised



Item

Identification	G1	AF (mm)
VERSCHLUSS HB 02	G 1/8" -28	14
VERSCHLUSS HB 04	G 1/4" -19	19
VERSCHLUSS HB 06	G 3/8" -19	22
VERSCHLUSS HB 08	G 1/2" -14	27
VERSCHLUSS HB 10	G 5/8" -14	30
VERSCHLUSS HB 12	G 3/4" -14	32
VERSCHLUSS HB 16	G 1" -11	41
VERSCHLUSS HB 20	G 1.1/4" -11	50
VERSCHLUSS HB 24	G 1.1/2" -11	55
VERSCHLUSS HB 32	G 2" -11	70

SW, S1, S2 = With across flats

Product versions

VERSCHLUSS HB VA Blanking socket, Stainless steel