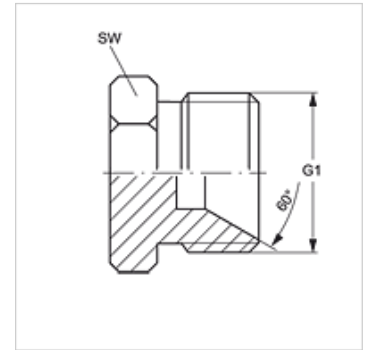


VERSCHLUSS HB VA

Blanking socket

Properties

Connection 1	BSP external thread, cylindrical
Sealing form 1	60° inner cone
Design	Blanking socket
Construction	straight
Material	Stainless steel



Item

Identification	G1	AF (mm)
VERSCHLUSS HB 02 VA	G 1/8" -28	14
VERSCHLUSS HB 04 VA	G 1/4" -19	19
VERSCHLUSS HB 06 VA	G 3/8" -19	22
VERSCHLUSS HB 08 VA	G 1/2" -14	27
VERSCHLUSS HB 10 VA	G 5/8" -14	30
VERSCHLUSS HB 12 VA	G 3/4" -14	32
VERSCHLUSS HB 16 VA	G 1" -11	41
VERSCHLUSS HB 20 VA	G 1.1/4" -11	50
VERSCHLUSS HB 24 VA	G 1.1/2" -11	55
VERSCHLUSS HB 32 VA	G 2" -11	70

SW, S1, S2 = With across flats

Product versions

VERSCHLUSS HB Blanking socket, Steel