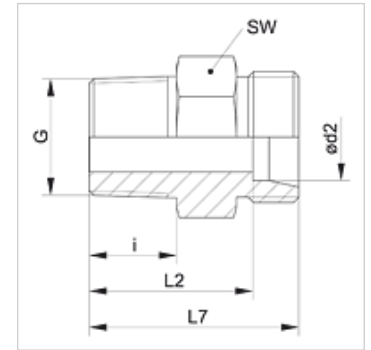


Properties

Connection 1	BSPT conical external threads
Sealing form 1	thread seal
Connection 2	metric cylindrical outer thread
Sealing form 2	24° inner cone
Design	Screw-in fitting
Construction	straight
Standard	DIN 3901
Scope of supply	Socket (without union nut and cutting ring)
Material	Stainless steel



Note

Information about fitting, installation, pressure loads and permissible operating temperatures can be found in the technical information for pipe fittings.

Item

Identification	Series	Operating pressure	Ø d2 (mm)	G	i (mm)	L2 (mm)	L7 (mm)	AF (mm)
XVR 04 LL VA	LL	PN 100	4	R 1/8" K	8,0	16,0	20,0	11
XVR 06 LL VA	LL	PN 100	6	R 1/8" K	8,0	14,5	20,0	11
XVR 06 LL 1/4 VA	LL	PN 100	6	R 1/4" K	12,0	14,5	20,0	12
XVR 08 LL 1/4 VA	LL	PN 100	8	R 1/4" K	12,0	20,5	26,0	14
XVR 08 LL VA	LL	PN 100	8	R 1/8" K	8,0	16,5	22,0	12
XVRK NW 04 HL VA	L	PN 315	6	R 1/8" K	10,5	17,5	24,5	12
XVRK NW 04 HL 1/4 VA	L	PN 315	6	R 1/4" K	14,0	22,0	29,0	17
XVRK NW 04 HL 3/8 VA	L	PN 315	6	R 1/2" K	14,5	23,5	30,5	19
XVRK NW 04 HL 1/2 VA	L	PN 315	6	R 1/2" K	18,5	27,5	34,5	22
XVRK NW 06 HL 1/8 VA	L	PN 315	8	R 1/8" K	10,5	18,5	25,5	14
XVRK NW 06 HL VA	L	PN 315	8	R 1/4" K	14,0	22,0	29,0	17
XVRK NW 06 HL 3/8 VA	L	PN 315	8	R 3/8" K	14,5	22,5	30,5	19
XVRK NW 06 HL 1/2 VA	L	PN 315	8	R 1/2" K	18,5	27,5	34,5	22
XVRK NW 08 HL VA	L	PN 315	10	R 1/4" K	14,0	23,0	30,0	17
XVRK NW 08 HL 1/8 VA	L	PN 315	10	R 1/8" K	10,5	19,5	26,5	17
XVRK NW 08 HL 3/8 VA	L	PN 315	10	R 3/8" K	14,5	24,5	31,5	19
XVRK NW 08 HL 1/2 VA	L	PN 315	10	R 1/2" K	18,5	28,5	35,5	22
XVRK NW 10 HL VA	L	PN 315	12	R 3/8" K	14,5	24,5	31,5	19
XVRK NW 10 HL 1/8 VA	L	PN 315	12	R 1/8" K	10,5	20,5	27,5	19
XVRK NW 10 HL 1/4 VA	L	PN 315	12	R 1/4" K	14,0	24,0	31,0	19
XVRK NW 10 HL 1/2 VA	L	PN 315	12	R 1/2" K	18,5	28,5	35,5	24
XVRK NW 10 HL 3/4 VA	L	PN 315	12	R 3/4" K	20,0	31,0	38,0	32
XVRK NW 13 HL 1/4 VA	L	PN 315	15	R 1/4" K	14,0	25,0	32,0	24
XVRK NW 13 HL VA	L	PN 315	15	R 1/2" K	18,5	29,5	36,5	24
XVRK NW 13 HL 3/8 VA	L	PN 315	15	R 3/8" K	14,5	25,5	24,0	33
XVRK NW 13 HL 3/4 VA	L	PN 315	15	R 3/4" K	20,0	32,0	39,0	32
XVRK NW 16 HL VA	L	PN 315	18	R 1/2" K	18,5	30,0	37,5	27
XVRK NW 16 HL 3/8 VA	L	PN 315	18	R 3/8" K	14,5	26,0	33,5	27
XVRK NW 16 HL 3/4 VA	L	PN 160	18	R 3/4" K	20,0	31,5	39,0	32
XVRK NW 20 HL 3/8 VA	L	PN 160	22	R 3/8" K	14,5	28,0	35,5	32
XVRK NW 20 HL VA	L	PN 160	22	R 3/4" K	20,0	33,5	41,0	32
XVRK NW 20 HL 1/2 VA	L	PN 160	22	R 1/2" K	18,5	32,0	39,5	32
XVRK NW 20 HL 1 VA	L	PN 160	22	R 1" K	24,0	38,5	46,0	41
XVRK NW 25 HL 1/2 VA	L	PN 160	28	R 1/2" K	18,5	33,0	40,5	41
XVRK NW 25 HL 3/4 VA	L	PN 160	28	R 3/4" K	20,0	34,5	42,0	41
XVRK NW 25 HL VA	L	PN 160	28	R 1" K	24,0	38,5	46,0	41
XVRK NW 25 HL 1 1/4 VA	L	PN 160	28	R 1.1/4" K	26,0	43,5	51,0	46
XVRK NW 32 HL VA	L	PN 160	35	R 1.1/4" K	26,0	42,5	53,0	46
XVRK NW 32 HL 1 VA	L	PN 160	35	R 1" K	24,0	40,5	51,0	46
XVRK NW 40 HL VA	L	PN 160	42	R 1.1/2" K	27,0	43,0	54,0	55
XVRK NW 40 HL 1 1/4 VA	L	PN 160	42	R 1.1/4" K	26,0	42,0	53,0	55
XVRK NW 03 HS VA	S	PN 400	6	R 1/4" K	14,0	27,0	34,0	17



Item								
Identification	Series	Operating pressure	Ø d2 (mm)	G	i (mm)	L2 (mm)	L7 (mm)	AF (mm)
XVRK NW 04 HS VA	S	PN 400	8	R 1/4" K	14,0	27,0	34,0	17
XVRK NW 04 HS 3/8 VA	S	PN 160	8	R 3/8" K	14,5	27,5	34,5	19
XVRK NW 06 HS VA	S	PN 400	10	R 3/8" K	14,5	27,0	34,5	19
XVRK NW 06 HS 1/4 VA	S	PN 400	10	R 1/4" K	14,0	26,5	34,0	19
XVRK NW 08 HS VA	S	PN 400	12	R 3/8" K	14,5	29,0	36,5	22
XVRK NW 08 HS 1/2 VA	S	PN 400	12	R 1/2" K	18,5	33,0	40,5	22
XVRK NW 10 HS VA	S	PN 400	14	R 1/2" K	18,5	34,5	42,5	24
XVRK NW 13 HS VA	S	PN 400	16	R 1/2" K	18,5	34,0	42,5	27
XVRK NW 16 HS VA	S	PN 400	20	R 3/4" K	20,0	37,5	48,0	32
XVRK NW 16 HS 1/2 VA	S	PN 400	20	R 1/2" K	18,5	36,0	46,5	32
XVRK NW 20 HS VA	S	PN 400	25	R 1" K	24,0	43,0	55,0	41
XVRK NW 25 HS VA	S	PN 250	30	R 1.1/4" K	26,0	45,5	59,0	46

Series: LL = Very light L = Light S = Heavy - PN = Nominal pressure PB = Max. operating pressure - Ø d2 = External pipe diameter

Product versions

XVRK	Screw-in fitting, Steel
VRK VA	Screw in fitting, Stainless steel