

VERSCHLUSS HJL

Blanking socket

Properties

Connection 1 metric cylindrical outer thread

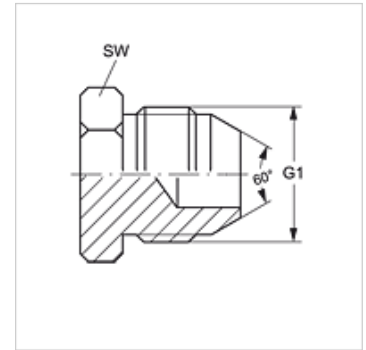
Sealing form 1 60° outer cone

Design Blanking socket

Construction straight

Material Steel

Surface electro galvanised



Item

| Identification | G1 | AF (mm) |
|-------------------|------------|------------|
| VERSCHLUSS HJL 14 | M 14 x 1.5 | 14 |
| VERSCHLUSS HJL 16 | M 16 x 1.5 | 17 |
| VERSCHLUSS HJL 18 | M 18 x 1.5 | 19 |
| VERSCHLUSS HJL 22 | M 22 x 1.5 | 22 |
| VERSCHLUSS HJL 24 | M 24 x 1.5 | 24 |
| VERSCHLUSS HJL 30 | M 30 x 1.5 | 30 |
| VERSCHLUSS HJL 33 | M 33 x 1.5 | 36 |

SW, S1, S2 = With across flats