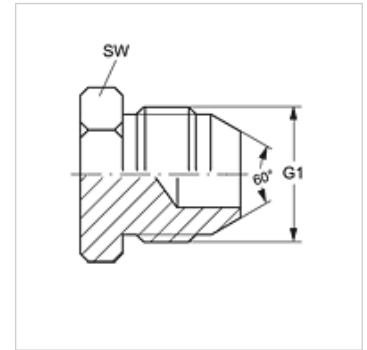


# VERSCHLUSS HJR

Blanking socket

## Properties

<b>Connection 1</b>	BSP external thread, cylindrical
<b>Sealing form 1</b>	60° outer cone
<b>Design</b>	Blanking socket
<b>Construction</b>	straight
<b>Standard connection 2</b>	JIS B 8363
<b>Material</b>	Steel
<b>Surface</b>	electro galvanised



## Item

Identification	G1	AF (mm)
<b>VERSCHLUSS HJR 04</b>	G 1/4" -19	14
<b>VERSCHLUSS HJR 06</b>	G 3/8" -19	17
<b>VERSCHLUSS HJR 08</b>	G 1/2" -14	22
<b>VERSCHLUSS HJR 12</b>	G 3/4" -14	27
<b>VERSCHLUSS HJR 16</b>	G 1" -11	36

SW, S1, S2 = With across flats