

# VERSCHLUSS HN

Blanking socket

## Properties

**Connection 1** NPT external threads

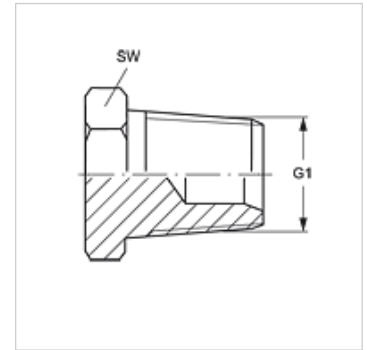
**Sealing form 1** thread seal

**Design** Blanking socket

**Construction** straight

**Material** Steel

**Surface** electro galvanised



## Item

Identification	G1	AF (mm)
VERSCHLUSS HN 02	1/8" -27 NPT	12
VERSCHLUSS HN 04	1/4" -18 NPT	17
VERSCHLUSS HN 06	3/8" -18 NPT	19
VERSCHLUSS HN 08	1/2" -14 NPT	22
VERSCHLUSS HN 12	3/4" -14 NPT	27
VERSCHLUSS HN 16	1" -11.5 NPT	36
VERSCHLUSS HN 20	1.1/4" -11.5 NPT	46
VERSCHLUSS HN 24	1.1/2" -11.5 NPT	50
VERSCHLUSS HN 32	2" -11.5 NPT	65

SW, S1, S2 = With across flats

## Product versions

VERSCHLUSS HN VA Blanking socket, Stainless steel