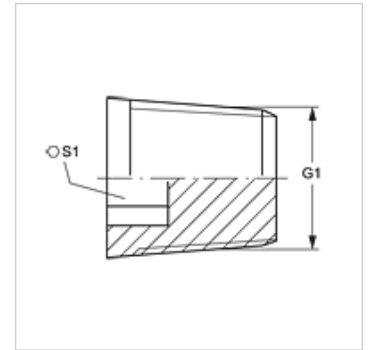


VERSCHLUSS HN IS

Blanking socket, with hexagon socket

Properties

Connection 1	NPT external threads
Sealing form 1	thread seal
Design	Blanking socket, with hexagon socket
Construction	straight
Material	Steel
Surface	electro galvanised



Item

Identification	G1	S1
VERSCHLUSS HN 02 IS	1/8" -27 NPT	5
VERSCHLUSS HN 04 IS	1/4" -18 NPT	6
VERSCHLUSS HN 06 IS	3/8" -18 NPT	8
VERSCHLUSS HN 08 IS	1/2" -14 NPT	10
VERSCHLUSS HN 12 IS	3/4" -14 NPT	12
VERSCHLUSS HN 16 IS	1" -11.5 NPT	17
VERSCHLUSS HN 20 IS	1.1/4" -11.5 NPT	22
VERSCHLUSS HN 24 IS	1.1/2" -11.5 NPT	24
VERSCHLUSS HN 32 IS	2" -11.5 NPT	27

SW, S1, S2 = With across flats