

VERSCHLUSS HN VA

Blanking socket

Properties

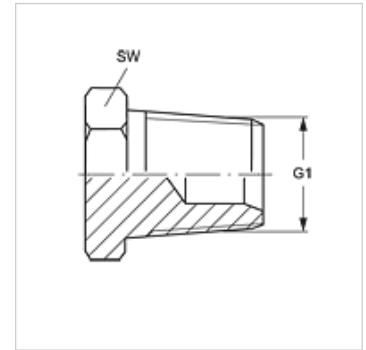
Connection 1 NPT external threads

Sealing form 1 thread seal

Design Blanking socket

Construction straight

Material Stainless steel



Item

Identification	G1	AF (mm)
VERSCHLUSS HN 02 VA	1/8" -27 NPT	12
VERSCHLUSS HN 04 VA	1/4" -18 NPT	17
VERSCHLUSS HN 06 VA	3/8" -18 NPT	19
VERSCHLUSS HN 08 VA	1/2" -14 NPT	22
VERSCHLUSS HN 12 VA	3/4" -14 NPT	27
VERSCHLUSS HN 16 VA	1" -11.5 NPT	36
VERSCHLUSS HN 20 VA	1.1/4" -11.5 NPT	46
VERSCHLUSS HN 24 VA	1.1/2" -11.5 NPT	50
VERSCHLUSS HN 32 VA	2" -11.5 NPT	65

SW, S1, S2 = With across flats

Product versions

VERSCHLUSS HN Blanking socket, Steel