

VERSCHLUSS HRO

Blanking socket, with hexagon head

Properties

Connection 1 BSP external thread, cylindrical

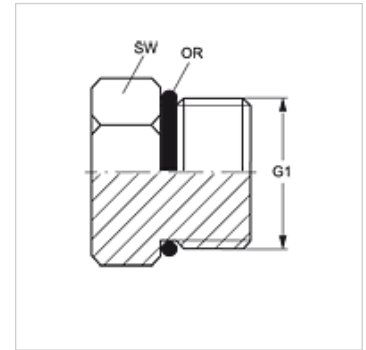
Sealing form 1 form G

Design Blanking socket, with hexagon head

Construction straight

Material Steel

Surface electro galvanised



Item

| Identification | G1 | AF (mm) | OR |
|-------------------|--------------|------------|--------------|
| VERSCHLUSS HRO 02 | G 1/8" -28 | 14 | 7.65 x 1.78 |
| VERSCHLUSS HRO 04 | G 1/4" -19 | 19 | 10.78 x 2.62 |
| VERSCHLUSS HRO 06 | G 3/8" -19 | 22 | 13.94 x 2.62 |
| VERSCHLUSS HRO 08 | G 1/2" -14 | 27 | 17.86 x 2.62 |
| VERSCHLUSS HRO 12 | G 3/4" -14 | 36 | 23.47 x 2.62 |
| VERSCHLUSS HRO 16 | G 1" -11 | 41 | 29.74 x 3.53 |
| VERSCHLUSS HRO 20 | G 1.1/4" -11 | 50 | 37.69 x 3.53 |
| VERSCHLUSS HRO 24 | G 1.1/2" -11 | 55 | 44.04 x 3.53 |

SW, S1, S2 = With across flats