

VERSCHLUSS IN

Blanking nut

Properties

Connection 1 NPT internal thread

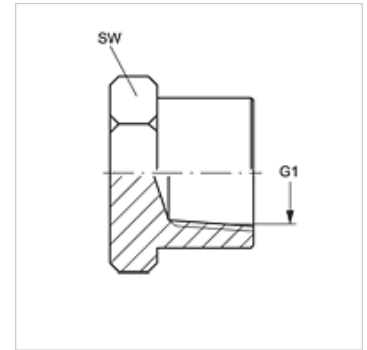
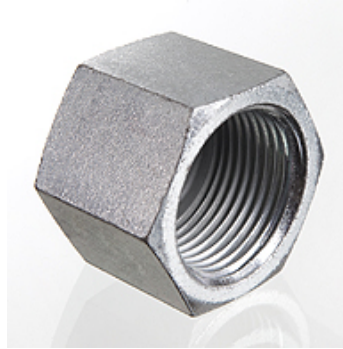
Sealing form 1 thread seal

Design Blanking nut

Construction straight

Material Steel

Surface electro galvanised



Item

Identification	G1	AF (mm)
VERSCHLUSS IN 02	1/8" -27 NPT	14
VERSCHLUSS IN 04	1/4" -18 NPT	17
VERSCHLUSS IN 06	3/8" -18 NPT	22
VERSCHLUSS IN 08	1/2" -14 NPT	27
VERSCHLUSS IN 12	3/4" -14 NPT	32
VERSCHLUSS IN 16	1" -11.5 NPT	43
VERSCHLUSS IN 20	1.1/4" -11.5 NPT	50
VERSCHLUSS IN 24	1.1/2" -11.5 NPT	60
VERSCHLUSS IN 32	2" -11.5 NPT	73

SW, S1, S2 = With across flats