

VERSCHLUSS O IS

Blanking socket, with hexagon socket

Properties

Connection 1 UN/UNF external threads

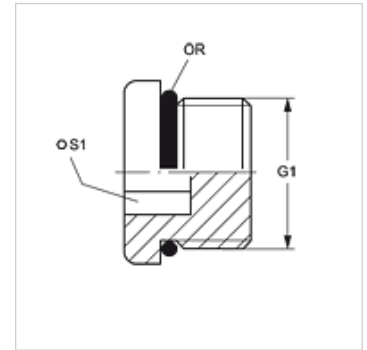
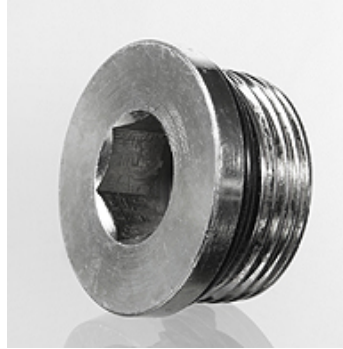
Sealing form 1 O-ring seal

Design Blanking socket, with hexagon socket

Construction straight

Material Steel

Surface electro galvanised



Item

Identification	G1	S1	OR
VERSCHLUSS O 02 IS	5/16"-24 UNF	3	6.07 x 1.63
VERSCHLUSS O 03 IS	3/8"-24 UNF	4	7.65 x 1.78
VERSCHLUSS O 04 IS	7/16"-20 UNF	5	8.92 x 1.83
VERSCHLUSS O 05 IS	1/2"-20 UNF	5	10.52 x 1.83
VERSCHLUSS O 06 IS	9/16"-18 UNF	6	11.90 x 1.98
VERSCHLUSS O 08 IS	3/4"-16 UNF	8	16.36 x 2.20
VERSCHLUSS O 10 IS	7/8" -14 UNF	10	19.18 x 2.46
VERSCHLUSS O 12 IS	1.1/16" -12 UN	14	23.47 x 2.95
VERSCHLUSS O 14 IS	1.3/16" -12 UN	14	26.59 x 2.95
VERSCHLUSS O 16 IS	1.5/16" -12 UN	17	29.74 x 2.95
VERSCHLUSS O 20 IS	1.5/8" -12 UN	22	37.47 x 3.00
VERSCHLUSS O 24 IS	1.7/8" -12 UN	22	43.69 x 3.00
VERSCHLUSS O 32 IS	2.1/2" -12 UN	22	59.36 x 3.00

SW, S1, S2 = With across flats