

VSSK IR VA

Blanking nut

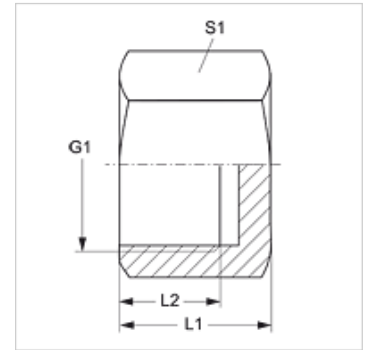
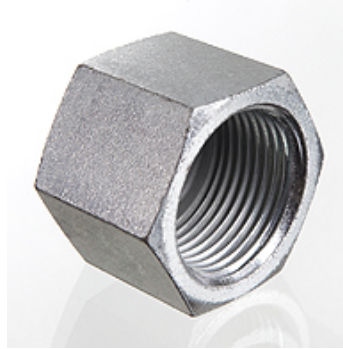
Properties

Connection 1 BSP cylindrical internal threads

Sealing form 1 flat sealing

Design Blanking nut

Material Stainless steel



Item

Identification	G1	L1 (mm)	L2 (mm)	S1
VSSK IR 02 VA	G 1/8" -28	15,0	10,0	14
VSSK IR 04 VA	G 1/4" -19	18,0	12,5	17
VSSK IR 06 VA	G 3/8" -19	19,0	13,0	22
VSSK IR 08 VA	G 1/2" -14	21,0	14,5	27
VSSK IR 12 VA	G 3/4" -14	24,5	18,5	32
VSSK IR 16 VA	G 1" -11	25,0	19,0	41
VSSK IR 20 VA	G 1.1/4" -11	29,0	22,0	50
VSSK IR 24 VA	G 1.1/2" -11	31,0	23,5	55
VSSK IR 32 VA	G 2" -11	32,0	24,5	70

SW, S1, S2 = With across flats