

# W45 AJ

Connection socket, angle 45°

## Properties

**Connection 1** UN/UNF nut threads

**Sealing form 1** 74° inner cone

**Connection 2** UN/UNF nut threads

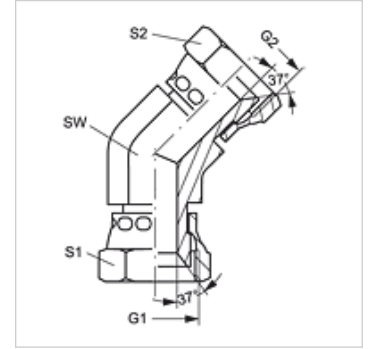
**Sealing form 2** 74° inner cone

**Design** Connection sockets

**Construction** Angle 45°

**Material** Steel

**Surface** electro galvanised



## Item

Identification	G1 + G2	S2	S1
W45 AJ 04	7/16"-20 UNF	17	17
W45 AJ 05	1/2"-20 UNF	17	17
W45 AJ 06	9/16"-18 UNF	19	19
W45 AJ 08	3/4"-16 UNF	24	24
W45 AJ 10	7/8"-14 UNF	27	27
W45 AJ 12	1.1/16" -12 UN	32	32
W45 AJ 16	1.5/16" -12 UN	41	41

SW, S1, S2 = With across flats