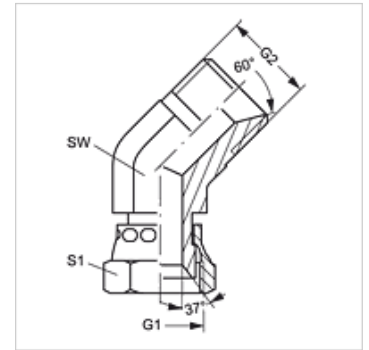


W45 AJ HB

Connection socket, angle 45°

Properties

Connection 1	UN/UNF nut threads
Sealing form 1	74° inner cone
Connection 2	BSP cylindrical external threads
Sealing form 2	60° inner cone
Design	Connection sockets
Construction	Angle 45°
Material	Steel
Surface	electro galvanised



Item

Identification	G1	G2	AF (mm)	S1
W45 AJ 04 HB	7/16"-20 UNF	G 1/4" -19	14	17
W45 AJ 06 HB	9/16"-18 UNF	G 3/8" -19	17	19
W45 AJ 08 HB	3/4"-16 UNF	G 1/2" -14	19	24
W45 AJ 10 HB	7/8" -14 UNF	G 5/8" -14	24	27
W45 AJ 12 HB	1.1/16" -12 UN	G 3/4" -14	27	32
W45 AJ 16 HB	1.5/16" -12 UN	G 1" -11	36	41

SW, S1, S2 = With across flats