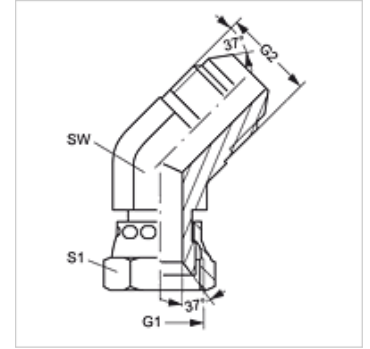


W45 AJ HJ VA

Screw-on socket, angle 45°

Properties

Connection 1	UN/UNF nut threads
Sealing form 1	74° inner cone
Connection 2	UN/UNF external threads
Sealing form 2	74° outer cone
Design	Screw-on socket
Construction	Angle 45°
Material	Stainless steel



Item

Identification	G1	G2	AF (mm)	S1
W45 AJ 04 HJ VA	7/16"-20 UNF	7/16"-20 UNF	11	14
W45 AJ 06 HJ VA	9/16"-18 UNF	9/16"-18 UNF	14	19
W45 AJ 08 HJ VA	3/4"-16 UNF	3/4"-16 UNF	19	22
W45 AJ 12 HJ VA	1.1/16" -12 UN	1.1/16" -12 UN	27	32

SW, S1, S2 = With across flats

Product versions

W45 AJ HJ	Screw-on socket, angle 45°, Steel
------------------	-----------------------------------