

W45 AN HN

Screw-in socket, angle 45°

Properties

Connection 1 NPT nut thread (NPSM)

Sealing form 1 60° outer cone

Connection 2 NPT external threads

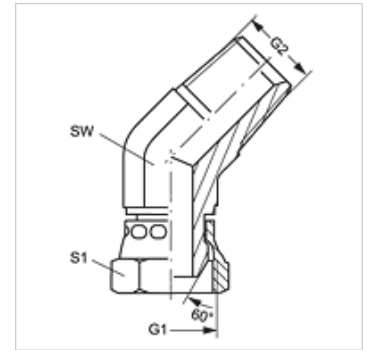
Sealing form 2 thread seal

Design Screw-in sockets

Construction Angle 45°

Material Steel

Surface electro galvanised



Item

Identification	G1	G2	AF (mm)	S1
W45 AN 02 HN	1/8" -27 NPT	1/8" -27 NPT	11	14
W45 AN 04 HN	1/4" -18 NPT	1/4" -18 NPT	14	18
W45 AN 06 HN	3/8" -18 NPT	3/8" -18 NPT	19	22
W45 AN 06 HN 08	3/8" -18 NPT	1/2" -14 NPT	22	22
W45 AN 08 HN	1/2" -14 NPT	1/2" -14 NPT	22	25
W45 AN 08 HN 12	1/2" -14 NPT	3/4" -14 NPT	27	25
W45 AN 12 HN	3/4" -14 NPT	3/4" -14 NPT	27	32
W45 AN 12 HN 16	3/4" -14 NPT	1" -11.5 NPT	33	32
W45 AN 16 HN 12	1" -11.5 NPT	3/4" -14 NPT	33	38
W45 AN 16 HN	1" -11.5 NPT	1" -11.5 NPT	33	38
W45 AN 20 HN	1.1/4" -11.5 NPT	1.1/4" -11.5 NPT	41	48
W45 AN 24 HN	1.1/2" -11.5 NPT	1.1/2" -11.5 NPT	48	54
W45 AN 32 HN	2" -11.5 NPT	2" -11.5 NPT	64	67

SW, S1, S2 = With across flats