

W45 AN IN

Screw-on socket, angle 45°

Properties

Connection 1 NPT nut thread (NPSM)

Sealing form 1 60° inner cone

Connection 2 NPT internal thread

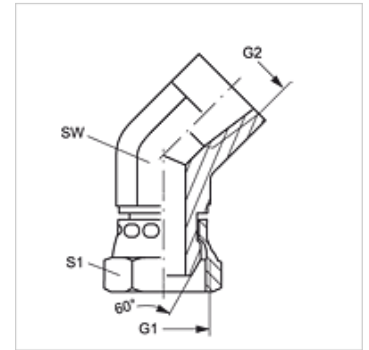
Sealing form 2 thread seal

Design Screw-on socket

Construction Angle 45°

Material Steel

Surface electro galvanised



Item

Identification	G1 + G2	AF (mm)	S1
W45 AN 16 IN	1" -11.5 NPT	41	38

SW, S1, S2 = With across flats