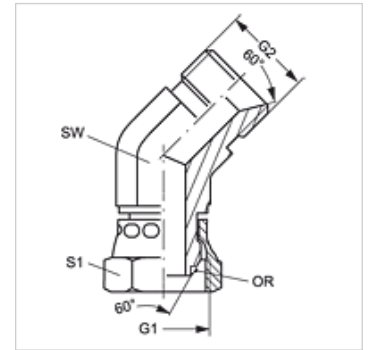


W45 AOB HB

Connector, angle 45°

Properties

Connection 1	BSP nut thread
Sealing form 1	60° outer cone with O-ring
Connection 2	BSP cylindrical external threads
Sealing form 2	60° inner cone
Design	Connectors
Construction	Angle 45°
Material	Steel
Surface	electro galvanised



Note

W45AOB02HB is without O-ring

Item

Identification	G1 + G2	AF (mm)	S1	OR
W45 AOB 02 HB	G 1/8" -28	11	14	-
W45 AOB 04 HB	G 1/4" -19	14	17	6.5 x 1.0
W45 AOB 06 HB	G 3/8" -19	19	22	8.1 x 1.6
W45 AOB 08 HB	G 1/2" -14	22	27	12.1 x 1.6
W45 AOB 10 HB	G 5/8" -14	25	27	13.0 x 1.6
W45 AOB 12 HB	G 3/4" -14	37	32	17.1 x 1.6
W45 AOB 16 HB	G 1" -11	33	41	22.1 x 1.6
W45 AOB 20 HB	G 1.1/4" -11	41	50	29.1 x 1.6
W45 AOB 24 HB	G 1.1/2" -11	50	60	35.1 x 1.6

SW, S1, S2 = With across flats