

# W45 HB

Connector, angle 45°

## Properties

**Connection 1** BSP external thread, cylindrical

**Sealing form 1** 60° inner cone

**Connection 2** BSP cylindrical external threads

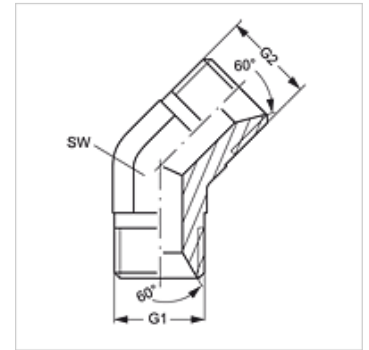
**Sealing form 2** 60° inner cone

**Design** Connectors

**Construction** Angle 45°

**Material** Steel

**Surface** electro galvanised



## Item

Identification	G1 + G2	AF (mm)
W45 HB 04	G 1/4" -19	14
W45 HB 06	G 3/8" -19	19
W45 HB 08	G 1/2" -14	22
W45 HB 12	G 3/4" -14	27
W45 HB 16	G 1" -11	33
W45 HB 20	G 1.1/4" -11	41
W45 HB 24	G 1.1/2" -11	50

AF = Width across flats