

# W45 HB HJ

Connection socket, angle 45°

## Properties

**Connection 1** BSP external thread, cylindrical

**Sealing form 1** 60° inner cone

**Connection 2** UN/UNF external threads

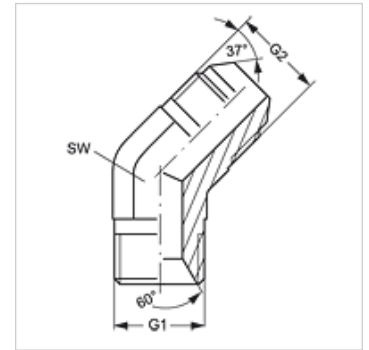
**Sealing form 2** 74° outer cone

**Design** Connection sockets

**Construction** Angle 45°

**Material** Steel

**Surface** electro galvanised



## Item

Identification	G1	G2	AF (mm)
W45 HB 04 HJ	G 1/4" -19	7/16"-20 UNF	14
W45 HB 04 HJ 05	G 1/4" -19	1/2"-20 UNF	13
W45 HB 06 HJ	G 3/8" -19	9/16"-18 UNF	19
W45 HB 06 HJ 08	G 3/8" -19	3/4"-16 UNF	19
W45 HB 08 HJ	G 1/2" -14	3/4"-16 UNF	22
W45 HB 08 HJ 10	G 1/2" -14	7/8"-14 UNF	22
W45 HB 10 HJ	G 5/8" -14	7/8"-14 UNF	27
W45 HB 12 HJ	G 3/4" -14	1.1/16" -12 UN	27
W45 HB 16 HJ	G 1" -11	1.5/16" -12 UN	33

AF = Width across flats