

W45 HB HN

Screw-in socket, angle 45°

Properties

Connection 1 BSP external thread, cylindrical

Sealing form 1 60° inner cone

Connection 2 NPT external threads

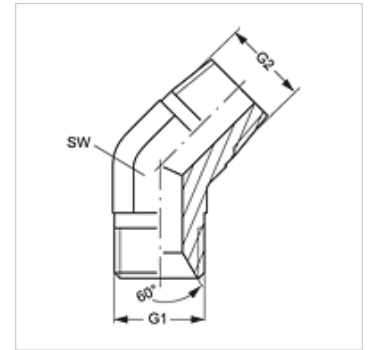
Sealing form 2 thread seal

Design Screw-in sockets

Construction Angle 45°

Material Steel

Surface electro galvanised



Item

Identification	G1	G2	AF (mm)
W45 HB 04 HN	G 1/4" -19	1/4" -18 NPT	14
W45 HB 06 HN	G 3/8" -19	3/8" -18 NPT	19
W45 HB 08 HN	G 1/2" -14	1/2" -14 NPT	22
W45 HB 20 HN	G 1.1/4" -11	1.1/4" -11.5 NPT	41

AF = Width across flats