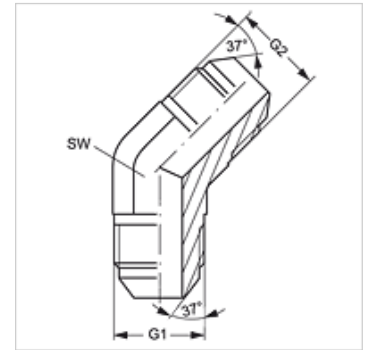


W45 HJ

Fitting socket, angle 45°

Properties

Connection 1	UN/UNF external threads
Sealing form 1	74° outer cone
Connection 2	UN/UNF external threads
Sealing form 2	74° outer cone
Design	Fitting socket
Construction	Angle 45°
Material	Steel
Surface	electro galvanised



Item

Identification	G1 + G2	AF (mm)
W45 HJ 04	7/16"-20 UNF	11
W45 HJ 05	1/2"-20 UNF	13
W45 HJ 06	9/16"-18 UNF	14
W45 HJ 08	3/4"-16 UNF	19
W45 HJ 10	7/8"-14 UNF	22
W45 HJ 12	1.1/16" -12 UN	27
W45 HJ 16	1.5/16" -12 UN	33

AF = Width across flats