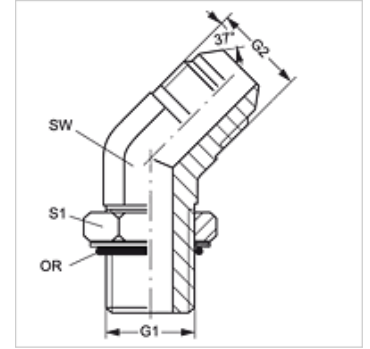


# W45 HMO HJ

Screw-in socket, angle 45°

## Properties

<b>Connection 1</b>	metric cylindrical outer thread
<b>Sealing form 1</b>	O-ring seal on screw-in socket
<b>Connection 2</b>	UN/UNF external threads
<b>Sealing form 2</b>	74° outer cone
<b>Design</b>	Screw-in sockets
<b>Construction</b>	Angle 45°
<b>Material</b>	Steel
<b>Surface</b>	electro galvanised



## Item

Identification	G1	G2	AF (mm)	S1	OR
W45 HMO 10 HJ 04	M 10 x 1	7/16"-20 UNF	11	14	8.2 x 1.5
W45 HMO 10 HJ 05	M 10 x 1	1/2"-20 UNF	13	14	8.2 x 1.5
W45 HMO 12 HJ 04	M 12 x 1.5	7/16"-20 UNF	13	17	9.4 x 2.1
W45 HMO 12 HJ 05	M 12 x 1.5	1/2"-20 UNF	13	17	9.4 x 2.1
W45 HMO 14 HJ 05	M 14 x 1.5	1/2"-20 UNF	13	19	11.4 x 2.1
W45 HMO 14 HJ 06	M 14 x 1.5	9/16"-18 UNF	14	19	11.4 x 2.1
W45 HMO 16 HJ 06	M 16 x 1.5	9/16"-18 UNF	19	22	13.4 x 2.1
W45 HMO 16 HJ 08	M 16 x 1.5	3/4"-16 UNF	19	22	13.4 x 2.1
W45 HMO 18 HJ 08	M 18 x 1.5	3/4"-16 UNF	19	24	15.4 x 2.1
W45 HMO 18 HJ 10	M 18 x 1.5	7/8"-14 UNF	22	24	15.4 x 2.1
W45 HMO 22 HJ 10	M 22 x 1.5	7/8"-14 UNF	22	27	19.4 x 2.1
W45 HMO 22 HJ 12	M 22 x 1.5	1.1/16" -12 UN	27	27	19.4 x 2.1
W45 HMO 27 HJ 12	M 27 x 2	1.1/16" -12 UN	27	32	23.7 x 2.8
W45 HMO 27 HJ 16	M 27 x 2	1.5/16" -12 UN	33	32	23.7 x 2.8
W45 HMO 33 HJ 16	M 33 x 2	1.5/16" -12 UN	33	41	29.7 x 2.8

SW, S1, S2 = With across flats