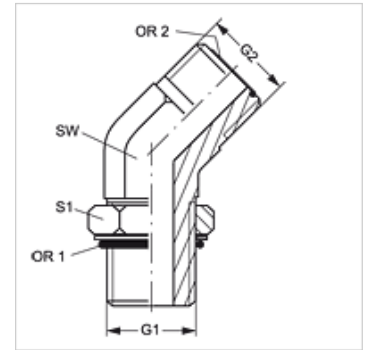


W45 HMO HJOF

Screw-in socket, angle 45°

Properties

Connection 1	metric cylindrical outer thread
Sealing form 1	O-ring seal on screw-in socket
Connection 2	ORFS external threads
Sealing form 2	flat seal with O-ring
Design	Adjustable direction screw-in socket
Construction	Angle 45°
Material	Steel
Surface	electro galvanised



Item

Identification	G1	G2	AF (mm)	S1	OR1	OR2
W45 HMO 12 HJOF 04	M 12 x 1.5	9/16"-18 UNF	14	17	9.30 x 2.30	7.65 x 1.78
W45 HMO 16 HJOF 06	M 16 x 1.5	11/16" -16 UN	19	22	13.30 x 2.30	9.25 x 1.78
W45 HMO 18 HJOF 08	M 18 x 1.5	13/16" -16 UN	19	24	15.30 x 2.30	12.42 x 1.78
W45 HMO 22 HJOF 10	M 22 x 1.5	1" -14 UNS	27	27	19.30 x 2.30	15.60 x 1.78
W45 HMO 27 HJOF 12	M 27 x 2	1.3/16" -12 UN	30	32	23.47 x 2.95	18.77 x 1.78
W45 HMO 33 HJOF 16	M 33 x 2	1.7/16" -12 UN	36	41	29.74 x 2.95	23.52 x 1.78
W45 HMO 42 HJOF 20	M 42 x 2	1.11/16" -12 UN	41	50	38.00 x 3.00	29.87 x 1.78
W45 HMO 48 HJOF 24	M 48 x 2	2" -12 UN	50	55	44.04 x 3.53	37.82 x 1.78

SW, S1, S2 = With across flats