

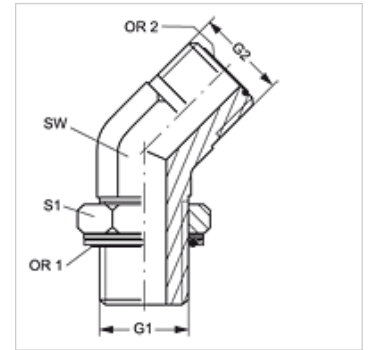
W45 HMOK HJOF

Screw-in socket, angle 45°

HANSA FLEX

Properties

| | |
|-----------------------|---|
| Connection 1 | metric cylindrical outer thread |
| Sealing form 1 | Thread socket with O-ring + spacer diaphragm ring |
| Connection 2 | ORFS external threads |
| Sealing form 2 | flat seal with O-ring |
| Design | Adjustable direction screw-in socket |
| Construction | Angle 45° |
| Material | Steel |
| Surface | electro galvanised |



Item

| Identification | G1 | G2 | AF (mm) | S1 | OR1 | OR2 |
|----------------------------|------------|-----------------|------------|----|--------------|--------------|
| W45 HMOK 12 HJOF 04 | M 12 x 1.5 | 9/16"-18 UNF | 14 | 17 | 9.30 x 2.30 | 7.65 x 1.78 |
| W45 HMOK 16 HJOF 06 | M 16 x 1.5 | 11/16" -16 UN | 19 | 19 | 13.30 x 2.30 | 9.25 x 1.78 |
| W45 HMOK 18 HJOF 08 | M 18 x 1.5 | 13/16" -16 UN | 19 | 22 | 15.30 x 2.30 | 12.42 x 1.78 |
| W45 HMOK 22 HJOF 10 | M 22 x 1.5 | 1" -14 UNS | 27 | 27 | 19.30 x 2.30 | 15.60 x 1.78 |
| W45 HMOK 27 HJOF 12 | M 27 x 2 | 1.3/16" -12 UN | 30 | 32 | 23.47 x 2.95 | 18.77 x 1.78 |
| W45 HMOK 33 HJOF 16 | M 33 x 2 | 1.7/16" -12 UN | 36 | 38 | 29.74 x 2.95 | 23.52 x 1.78 |
| W45 HMOK 42 HJOF 20 | M 42 x 2 | 1.11/16" -12 UN | 41 | 50 | 38.00 x 3.00 | 29.87 x 1.78 |
| W45 HMOK 48 HJOF 24 | M 48 x 2 | 2" -12 UN | 50 | 55 | 44.04 x 3.53 | 37.82 x 1.78 |

SW, S1, S2 = With across flats

Spare parts

KAMMRING M Diaphragm ring, metric