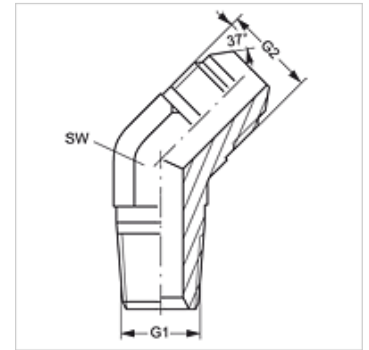


# W45 HN HJ VA

Screw-in socket, angle 45°

## Properties

<b>Connection 1</b>	NPT external threads
<b>Sealing form 1</b>	thread seal
<b>Connection 2</b>	UN/UNF external threads
<b>Sealing form 2</b>	74° outer cone
<b>Design</b>	Screw-in sockets
<b>Construction</b>	Angle 45°
<b>Material</b>	Stainless steel



## Item

Identification	G1	G2	AF (mm)
W45 HN 02 HJ 04 VA	1/8" -27 NPT	7/16"-20 UNF	11
W45 HN 04 HJ VA	1/4" -18 NPT	7/16"-20 UNF	14
W45 HN 04 HJ 06 VA	1/4" -18 NPT	9/16"-18 UNF	14
W45 HN 06 HJ VA	3/8" -18 NPT	9/16"-18 UNF	19
W45 HN 06 HJ 08 VA	3/8" -18 NPT	3/4"-16 UNF	19
W45 HN 08 HJ VA	1/2" -14 NPT	3/4"-16 UNF	22
W45 HN 12 HJ VA	3/4" -14 NPT	1.1/16" -12 UN	27
W45 HN 16 HJ VA	1" -11.5 NPT	1.5/16" -12 UN	33

AF = Width across flats

## Product versions

W45 HN HJ	Screw-in socket, angle 45°, Steel
-----------	-----------------------------------