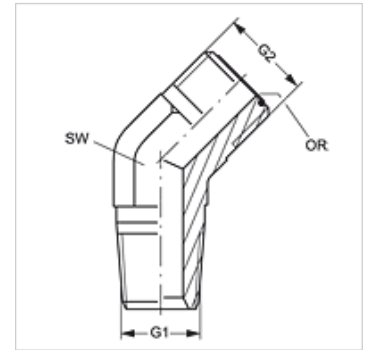


# W45 HN HJOF

Screw-in socket, angle 45°

## Properties

<b>Connection 1</b>	NPT external threads
<b>Sealing form 1</b>	thread seal
<b>Connection 2</b>	ORFS external threads
<b>Sealing form 2</b>	flat seal with O-ring
<b>Design</b>	Screw-in sockets
<b>Construction</b>	straight
<b>Material</b>	Steel
<b>Surface</b>	electro galvanised



## Item

Identification	G1	G2	AF (mm)	OR
<b>W45 HN 02 HJOF 04</b>	1/8" -27 NPT	9/16"-18 UNF	14	7.65 x 1.78
<b>W45 HN 04 HJOF</b>	1/4" -18 NPT	9/16"-18 UNF	14	7.65 x 1.78
<b>W45 HN 04 HJOF 06</b>	1/4" -18 NPT	11/16" -16 UN	19	9.25 x 1.78
<b>W45 HN 06 HJOF 04</b>	3/8" -18 NPT	9/16"-18 UNF	19	7.65 x 1.78
<b>W45 HN 06 HJOF</b>	3/8" -18 NPT	11/16" -16 UN	19	9.25 x 1.78
<b>W45 HN 06 HJOF 08</b>	3/8" -18 NPT	13/16" -16 UN	19	12.42 x 1.78
<b>W45 HN 08 HJOF 06</b>	1/2" -14 NPT	11/16" -16 UN	22	9.25 x 1.78
<b>W45 HN 08 HJOF</b>	1/2" -14 NPT	13/16" -16 UN	22	12.42 x 1.78
<b>W45 HN 08 HJOF 10</b>	1/2" -14 NPT	1" -14 UNS	27	15.60 x 1.78
<b>W45 HN 12 HJOF</b>	3/4" -14 NPT	1.3/16" -12 UN	30	18.77 x 1.78
<b>W45 HN 16 HJOF</b>	1" -11.5 NPT	1.7/16" -12 UN	37	23.52 x 1.78

AF = Width across flats