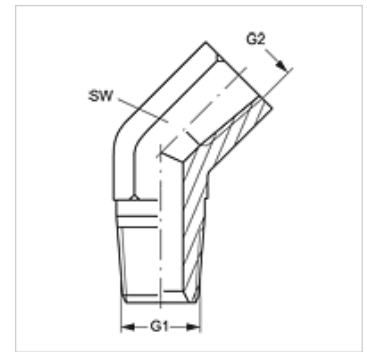


# W45 HN IN

Screw-in socket, angle 45°

## Properties

<b>Connection 1</b>	NPT external threads
<b>Sealing form 1</b>	thread seal
<b>Connection 2</b>	NPT internal thread
<b>Sealing form 2</b>	thread seal
<b>Design</b>	Screw-in sockets
<b>Construction</b>	Angle 45°
<b>Material</b>	Steel
<b>Surface</b>	electro galvanised



## Item

Identification	G1 + G2	AF (mm)
W45 HN 02 IN	1/8" -27 NPT	14
W45 HN 04 IN	1/4" -18 NPT	19
W45 HN 06 IN	3/8" -18 NPT	22
W45 HN 08 IN	1/2" -14 NPT	27
W45 HN 12 IN	3/4" -14 NPT	33
W45 HN 16 IN	1" -11.5 NPT	41
W45 HN 20 IN	1.1/4" -11.5 NPT	48
W45 HN 24 IN	1.1/2" -11.5 NPT	64

AF = Width across flats

## Product versions

W45 HN IN VA	Screw-in socket, angle 45°, Stainless steel
--------------	---