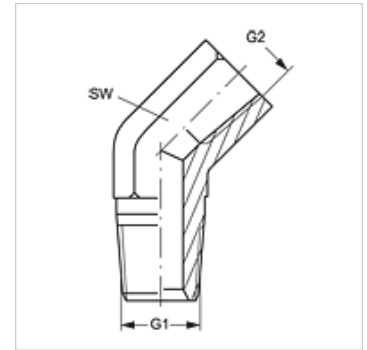


W45 HN IN VA

Screw-in socket, angle 45°

Properties

Connection 1	NPT external threads
Sealing form 1	thread seal
Connection 2	NPT internal thread
Sealing form 2	thread seal
Design	Screw-in sockets
Construction	Angle 45°
Material	Stainless steel



Item

Identification	G1	G2	AF (mm)
W45 HN 02 IN VA	1/8" -27 NPT	1/8" -27 NPT	14
W45 HN 04 IN VA	1/4" -18 NPT	1/4" -18 NPT	19

AF = Width across flats

Product versions

W45 HN IN Screw-in socket, angle 45°, Steel