

W45 HRK

Screw-in socket, angle 45°

Properties

Connection 1 BSPT conical external threads

Sealing form 1 thread seal

Connection 2 BSPT conical external threads

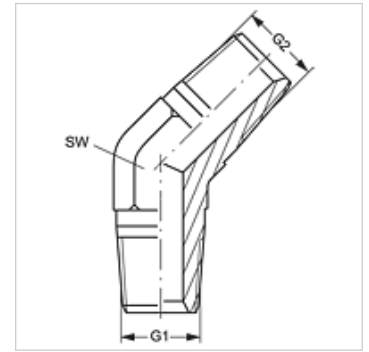
Sealing form 2 thread seal

Design Screw-in sockets

Construction Angle 45°

Material Steel

Surface electro galvanised



Item

Identification	G1 + G2	AF (mm)
W45 HRK 04	R 1/4" K	14
W45 HRK 06	R 3/8" K	19
W45 HRK 08	R 1/2" K	22
W45 HRK 12	R 3/4" K	27
W45 HRK 16	R 1" K	33

AF = Width across flats