

# W45 HRK AB

Screw-in socket, angle 45°

## Properties

**Connection 1** BSPT conical external threads

**Sealing form 1** thread seal

**Connection 2** BSP nut thread

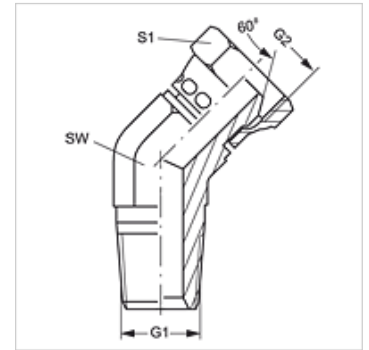
**Sealing form 2** 60° inner cone

**Design** Screw-in sockets

**Construction** Angle 45°

**Material** Steel

**Surface** electro galvanised



## Item

Identification	G1	G2	AF (mm)	S1
<b>W45 HRK 04 AB</b>	R 1/4" K	G 1/4" -19	19	19
<b>W45 HRK 06 AB</b>	R 3/8" K	G 3/8" -19	22	22
<b>W45 HRK 08 AB</b>	R 1/2" K	G 1/2" -14	27	27
<b>W45 HRK 12 AB</b>	R 3/4" K	G 3/4" -14	32	32
<b>W45 HRK 16 AB</b>	R 1" K	G 1" -11	41	41

AF = Width across flats