

W45 HRK AJ

Screw-in socket, angle 45°

Properties

Connection 1 BSPT conical external threads

Sealing form 1 thread seal

Connection 2 UN/UNF nut threads

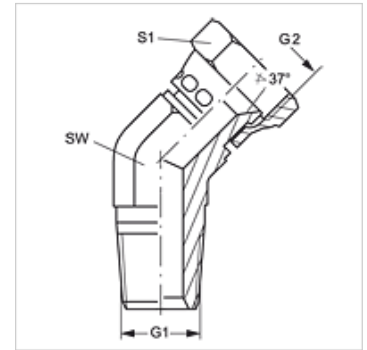
Sealing form 2 74° inner cone

Design Screw-in sockets

Construction Angle 45°

Material Steel

Surface electro galvanised



Item

Identification	G1	G2	AF (mm)	S1
W45 HRK 04 AJ	R 1/4" K	7/16"-20 UNF	14	16
W45 HRK 06 AJ	R 3/8" K	9/16"-18 UNF	19	19
W45 HRK 08 AJ	R 1/2" K	3/4"-16 UNF	22	22
W45 HRK 08 AJ 10	R 1/2" K	7/8"-14 UNF	22	27
W45 HRK 12 AJ	R 3/4" K	1.1/16" -12 UN	32	27

AF = Width across flats