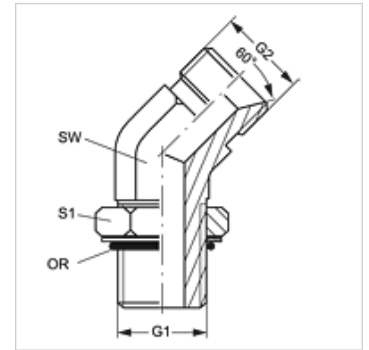


# W45 HRO HB

Screw-in socket, angle 45°

## Properties

<b>Connection 1</b>	BSP external thread, cylindrical
<b>Sealing form 1</b>	form G
<b>Connection 2</b>	BSP cylindrical external threads
<b>Sealing form 2</b>	60° inner cone
<b>Design</b>	Adjustable direction screw-in socket
<b>Construction</b>	Angle 45°
<b>Material</b>	Steel
<b>Surface</b>	electro galvanised



## Item

Identification	G1	G2	AF (mm)	S1	OR
W45 HRO 02 HB	G 1/8" -28	G 1/8" -28	11	16	7.65 x 1.78
W45 HRO 04 HB 02	G 1/4" -19	G 1/8" -28	14	20	10.78 x 2.62
W45 HRO 04 HB	G 1/4" -19	G 1/4" -19	14	20	10.78 x 2.62
W45 HRO 06 HB 04	G 3/8" -19	G 1/4" -19	14	24	13.94 x 2.62
W45 HRO 06 HB	G 3/8" -19	G 3/8" -19	19	24	13.94 x 2.62
W45 HRO 06 HB 08	G 3/8" -19	G 1/2" -14	22	24	13.94 x 2.62
W45 HRO 08 HB 06	G 1/2" -14	G 3/8" -19	22	28	17.86 x 2.62
W45 HRO 08 HB	G 1/2" -14	G 1/2" -14	22	28	17.86 x 2.62
W45 HRO 08 HB 10	G 1/2" -14	G 5/8" -14	22	28	17.86 x 2.62
W45 HRO 08 HB 12	G 1/2" -14	G 3/4" -14	27	28	17.86 x 2.62
W45 HRO 12 HB 08	G 3/4" -14	G 1/2" -14	27	35	23.47 x 2.62
W45 HRO 12 HB	G 3/4" -14	G 3/4" -14	27	35	23.47 x 2.62
W45 HRO 12 HB 16	G 3/4" -14	G 1" -11	27	35	23.47 x 2.62
W45 HRO 16 HB 12	G 1" -11	G 3/4" -14	33	43	29.74 x 3.53
W45 HRO 16 HB	G 1" -11	G 1" -11	33	43	29.74 x 3.53
W45 HRO 20 HB	G 1.1/4" -11	G 1.1/4" -11	41	52	37.69 x 3.53
W45 HRO 24 HB	G 1.1/2" -11	G 1.1/2" -11	48	58	44.04 x 3.53

SW, S1, S2 = With across flats