

# W45 HRO HJ

Screw-in socket, angle 45°

## Properties

**Connection 1** BSP external thread, cylindrical

**Sealing form 1** form G

**Connection 2** UN/UNF external threads

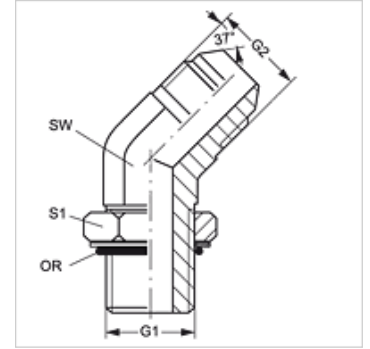
**Sealing form 2** 74° outer cone

**Design** Adjustable direction screw-in socket

**Construction** Angle 45°

**Material** Steel

**Surface** electro galvanised



## Item

Identification	G1	G2	AF (mm)	S1	OR
W45 HRO 02 HJ 05	G 1/8" -28	1/2"-20 UNF	13	14	8.00 x 2.00
W45 HRO 04 HJ	G 1/4" -19	7/16"-20 UNF	14	19	10.77 x 2.62
W45 HRO 04 HJ 05	G 1/4" -19	1/2"-20 UNF	14	19	10.77 x 2.62
W45 HRO 04 HJ 08	G 1/4" -19	3/4"-16 UNF	19	19	10.77 x 2.62
W45 HRO 06 HJ 04	G 3/8" -19	7/16"-20 UNF	19	22	13.94 x 2.62
W45 HRO 06 HJ 05	G 3/8" -19	1/2"-20 UNF	19	22	13.94 x 2.62
W45 HRO 06 HJ	G 3/8" -19	9/16"-18 UNF	19	22	13.94 x 2.62
W45 HRO 06 HJ 10	G 3/8" -19	7/8"-14 UNF	22	22	13.94 x 2.62
W45 HRO 08 HJ 04	G 1/2" -14	7/16"-20 UNF	22	27	17.86 x 2.62
W45 HRO 08 HJ 06	G 1/2" -14	9/16"-18 UNF	22	27	17.86 x 2.62
W45 HRO 08 HJ	G 1/2" -14	3/4"-16 UNF	22	27	17.86 x 2.62
W45 HRO 08 HJ 12	G 1/2" -14	1.1/16" -12 UN	27	27	17.86 x 2.62
W45 HRO 12 HJ 08	G 3/4" -14	3/4"-16 UNF	27	36	23.47 x 2.62
W45 HRO 12 HJ 10	G 3/4" -14	7/8"-14 UNF	27	36	23.47 x 2.62
W45 HRO 24 HJ	G 1.1/2" -11	1.7/8" -12 UN	48	55	44.04 x 3.53

SW, S1, S2 = With across flats