

W45 HRO HJOF

Screw-in socket, angle 45°

Properties

Connection 1 BSP external thread, cylindrical

Sealing form 1 form G

Connection 2 ORFS external threads

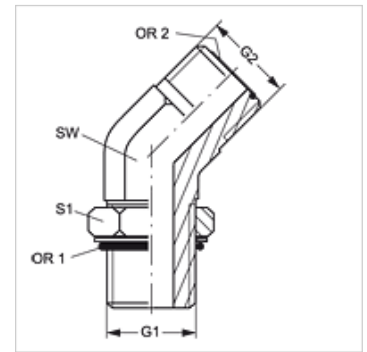
Sealing form 2 flat seal with O-ring

Design Screw-in sockets

Construction Angle 45°

Material Steel

Surface electro galvanised



Item

Identification	G1	G2	AF (mm)	S1	OR1	OR2
W45 HRO 20 HJOF	G 1.1/4" -11	1.11/16" -12 UN	41	50	37.69 x 3.53	29.87 x 1.78
W45 HRO 24 HJOF	G 1.1/2" -11	2" -12 UN	50	55	44.04 x 3.53	37.82 x 1.78

SW, S1, S2 = With across flats