

W45 IR

Connection socket, angle 45°

Properties

Connection 1 BSP cylindrical internal threads

Sealing form 1 flat sealing

Connection 2 BSP cylindrical internal threads

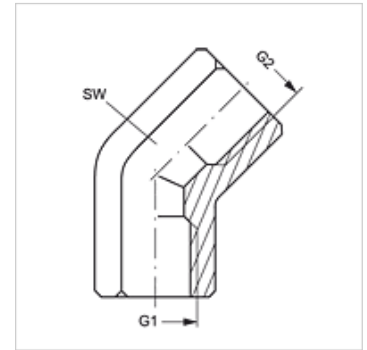
Sealing form 2 Flat seal

Design Connection sockets

Construction Angle 45°

Material Steel

Surface electro galvanised



Item

Identification	G1 + G2	AF (mm)
W45 IR 02	G 1/8" -28	17
W45 IR 04	G 1/4" -19	19
W45 IR 06	G 3/8" -19	22
W45 IR 08	G 1/2" -14	27
W45 IR 12	G 3/4" -14	33
W45 IR 16	G 1" -11	41

AF = Width across flats