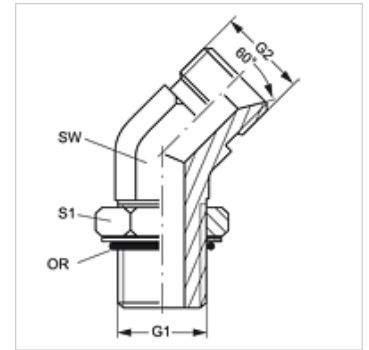


W45 O HB

Screw-in socket, angle 45°

Properties

Connection 1	UN/UNF external threads
Sealing form 1	O-ring seal on screw-in socket
Connection 2	BSP cylindrical external threads
Sealing form 2	60° inner cone
Design	Screw-in sockets
Construction	Angle 45°
Material	Steel
Surface	electro galvanised



Item

Identification	G1	G2	AF (mm)	S1	OR
W45 O 04 HB 02	7/16"-20 UNF	G 1/8" -28	11	14	8.92 x 1.83
W45 O 04 HB	7/16"-20 UNF	G 1/4" -19	11	14	8.92 x 1.83
W45 O 04 HB 06	7/16"-20 UNF	G 3/8" -19	14	14	8.92 x 1.83
W45 O 05 HB 02	1/2"-20 UNF	G 1/8" -28	13	16	10.52 x 1.83
W45 O 05 HB 04	1/2"-20 UNF	G 1/4" -19	13	16	10.52 x 1.83
W45 O 06 HB 04	9/16"-18 UNF	G 1/4" -19	14	17	11.90 x 1.98
W45 O 06 HB	9/16"-18 UNF	G 3/8" -19	14	17	11.90 x 1.98
W45 O 08 HB 04	3/4"-16 UNF	G 1/4" -19	19	22	16.36 x 2.20
W45 O 08 HB 06	3/4"-16 UNF	G 3/8" -19	19	22	16.36 x 2.20
W45 O 08 HB	3/4"-16 UNF	G 1/2" -14	19	22	16.36 x 2.20
W45 O 08 HB 12	3/4"-16 UNF	G 3/4" -14	27	22	16.36 x 2.20
W45 O 10 HB 06	7/8" -14 UNF	G 3/8" -19	22	25	19.18 x 2.46
W45 O 10 HB 08	7/8" -14 UNF	G 1/2" -14	22	25	19.18 x 2.46
W45 O 10 HB 12	7/8" -14 UNF	G 3/4" -14	27	25	19.18 x 2.46
W45 O 12 HB 08	1.1/16" -12 UN	G 1/2" -14	27	32	23.47 x 2.95
W45 O 12 HB	1.1/16" -12 UN	G 3/4" -14	27	32	23.47 x 2.95
W45 O 12 HB 16	1.1/16" -12 UN	G 1" -11	33	32	23.47 x 2.95
W45 O 16 HB 12	1.5/16" -12 UN	G 3/4" -14	33	38	29.74 x 2.95
W45 O 16 HB	1.5/16" -12 UN	G 1" -11	33	38	29.74 x 2.95

SW, S1, S2 = With across flats