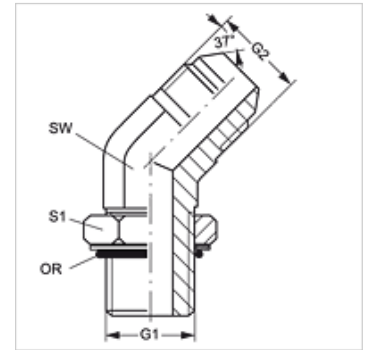


W45 O HJ VA

Screw-in socket, angle 45°

Properties

Connection 1	UN/UNF external threads
Sealing form 1	O-ring seal on screw-in socket
Connection 2	UN/UNF external threads
Sealing form 2	74° outer cone
Design	Adjustable direction screw-in socket
Construction	Angle 45°
Material	Stainless steel



Ordering information

Seals of NBR
FPM (Viton) on request

Item	G1	G2	AF (mm)	S1	OR
W45 O 04 HJ VA	7/16"-20 UNF	7/16"-20 UNF	11	14	8.92 x 1.83
W45 O 06 HJ VA	9/16"-18 UNF	9/16"-18 UNF	14	17	11.90 x 1.98
W45 O 08 HJ VA	3/4"-16 UNF	3/4"-16 UNF	19	22	16.36 x 2.20

SW, S1, S2 = With across flats

Product versions

W45 O HJ Screw-in socket, angle 45°, Steel