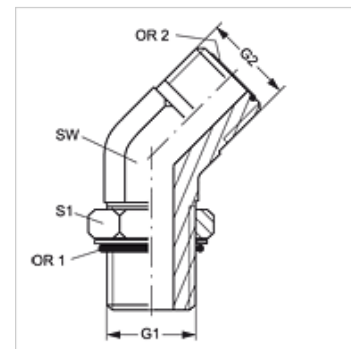


W45 O HJOF

Screw-in socket, angle 45°

Properties

Connection 1	UN/UNF external threads
Sealing form 1	O-ring seal on screw-in socket
Connection 2	ORFS external threads
Sealing form 2	flat seal with O-ring
Design	Adjustable direction screw-in socket
Construction	Angle 45°
Material	Steel
Surface	electro galvanised



Item

Identification	G1	G2	AF (mm)	S1	OR1	OR2
W45 O 04 HJOF	7/16"-20 UNF	9/16"-18 UNF	14	16	8.92 x 1.83	7.65 x 1.78
W45 O 04 HJOF 06	7/16"-20 UNF	11/16" -16 UN	19	16	8.92 x 1.83	9.25 x 1.78
W45 O 06 HJOF 04	9/16"-18 UNF	9/16"-18 UNF	19	19	11.89 x 1.98	7.65 x 1.78
W45 O 06 HJOF	9/16"-18 UNF	11/16" -16 UN	19	19	11.89 x 1.98	9.25 x 1.78
W45 O 06 HJOF 08	9/16"-18 UNF	13/16" -16 UN	19	19	11.89 x 1.98	12.42 x 1.78
W45 O 08 HJOF 06	3/4"-16 UNF	11/16" -16 UN	19	24	16.36 x 2.21	12.42 x 1.78
W45 O 08 HJOF	3/4"-16 UNF	13/16" -16 UN	19	24	16.36 x 2.21	12.42 x 1.78
W45 O 08 HJOF 10	3/4"-16 UNF	1" -14 UNS	27	24	16.36 x 2.21	15.60 x 1.78
W45 O 10 HJOF 08	7/8" -14 UNF	13/16" -16 UN	27	27	19.18 x 2.46	12.42 x 1.78
W45 O 10 HJOF	7/8" -14 UNF	1" -14 UNS	27	27	19.18 x 2.46	15.60 x 1.78
W45 O 10 HJOF 12	7/8" -14 UNF	1.3/16" -12 UN	30	27	19.18 x 2.46	18.77 x 1.78
W45 O 12 HJOF 10	1.1/16" -12 UN	1" -14 UNS	30	36	23.47 x 2.95	15.60 x 1.78
W45 O 12 HJOF	1.1/16" -12 UN	1.3/16" -12 UN	30	35	23.47 x 2.95	18.77 x 1.78
W45 O 12 HJOF 16	1.1/16" -12 UN	1.7/16" -12 UN	36	36	23.47 x 2.95	23.52 x 1.78
W45 O 16 HJOF 12	1.5/16" -12 UN	1.3/16" -12 UN	37	41	29.74 x 2.95	18.77 x 1.78
W45 O 16 HJOF	1.5/16" -12 UN	1.7/16" -12 UN	37	41	29.74 x 2.95	23.52 x 1.78
W45 O 20 HJOF 16	1.5/8" -12 UN	1.7/16" -12 UN	41	48	37.47 x 3.00	23.52 x 1.78
W45 O 20 HJOF	1.5/8" -12 UN	1.11/16" -12 UN	41	48	37.47 x 3.00	29.87 x 1.78
W45 O 24 HJOF 20	1.7/8" -12 UN	1.11/16" -12 UN	48	54	43.69 x 3.00	29.87 x 1.78
W45 O 24 HJOF	1.7/8" -12 UN	2" -12 UN	48	54	43.69 x 3.00	37.82 x 1.78

SW, S1, S2 = With across flats

Product versions

W45 O HJOF VA Screw-in socket, angle 45°, Stainless steel